



P M X - A S E R I E S



PMX-A mascot Pobby

Compact DC Power Supply **PMX-A Series**



Compact, high-performance series regulator system

LAN (LXI compliant) / USB / RS232C as standard interface

Free downloads (Limited function edition) of "Wavy" sequence creation software

A standard feature of the networking capability provides extended applications of the ordinary testing.

New-generation of the compact power supply PMX-A Series



- Series regulator system with excellent noise performance
- High setting resolution - Voltage: 1 mV, Current: 0.1 mA (PMX18-2A)
- Wide range of output variations (9 models are available)
- LAN (LXI compliant) / USB / RS232C as standard interface
- External analog remote control
- Monitoring and status signal output
- CV, CC priority start function (to prevent overshoot when the output is ON)
- Remote sensing function (18V, 35V models)
- Key lock, 3-point preset memory function

The PMX-A series is a compact, high-performance DC power supply that provides constant voltage (CV) and constant current (CC). It is designed to improve working efficiency for benchtop uses. For this purpose, the output terminals are located on the front panel and are ergonomically designed so that wiring harnesses for electrical loads can be connected by moving your fingers naturally. Moreover, a forced air cooling system is used to intake and exhaust of the internal air, so the unit can be rack mounted without space. Furthermore, the PMX-A is equipped with LAN, USB, and RS232C interfaces as standard interfaces required for system operation. In particular, the LAN interface enables you to control and monitor the power supply from Web browsers on PCs, smartphones, tablets, and other terminal devices. Moreover, the PMX-A is LXI (LAN eXtension for Instrumentation) certified product, so it can be connected easier with your measurement system using LAN interface. The PMX-A is also equipped with remote sensing (for 18V, 35V models only), analog external control/monitoring output, various protective functions, memory function, and other functions.



The Safety cover is included for the model above 70V output rating.



Actual size

Series line-up

Model	Output		Ripple		Line Regulation		Load Regulation		Dimensions Type	Weight kg / lbs	Power Source AC V±10%	Power Consumption Approx. VA
	CV V	CC A	CV mVrms	CC mA	CV mV	CC mA	CV mV	CC mA				
PMX18-2A	0 to 18	0 to 2	0.5	1	±1	±5	±2	±5	I	5 / 11.02	100	150
PMX18-5A	0 to 18	0 to 5	0.5	2	±1	±5	±5	±5	I	6 / 13.23	100	310
PMX35-1A	0 to 35	0 to 1	0.5	1	±3	±5	±3	±5	I	5 / 11.02	100	150
PMX35-3A	0 to 35	0 to 3	0.5	1	±3	±5	±4	±5	I	6 / 13.23	100	310
PMX70-1A	0 to 70	0 to 1	1	1	±5	±2	±5	±5	II	6 / 13.23	100	230
PMX110-0.6A	0 to 110	0 to 0.6	2	1	±7	±2	±7	±5	II	6 / 13.23	100	210
PMX250-0.25A	0 to 250	0 to 0.25	3	1	±15	±1	±15	±5	II	6 / 13.23	100	210
PMX350-0.2A	0 to 350	0 to 0.2	5	1	±25	±1	±25	±5	II	6 / 13.23	100	230
PMX500-0.1A	0 to 500	0 to 0.1	10	1	±30	±1	±30	±3	II	6 / 13.23	100	170

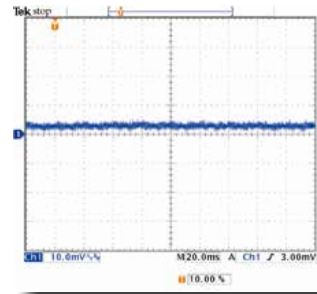
Communication interfaces are standard features



Rear panel



Series regulator system with excellent noise performance



High stability and Low Ripple Noise

The PMX-A is based on the capacitor-input type of the series regulator design and which output can be generated with low noise and low ripple compared to the switching regulator design.

▲ Ripple waveform (PMX18-5A)
[Measurement Condition] Resistive Load, Oscilloscope in 20MHz bandwidth

Improved usability



▲ Ergonomically designed for the wiring load harness



▲ The handle makes you easy to carry



Free downloads of "Wavy" sequence creation software

Limited function edition *

The limited function of the optional sequence creation and control software "SD025-PMX (Wavy for PMX)" is available to be downloaded free of charge. For details, please refer to the following information and our WEB. * The number of steps is limited up to 5 steps.

Application Software

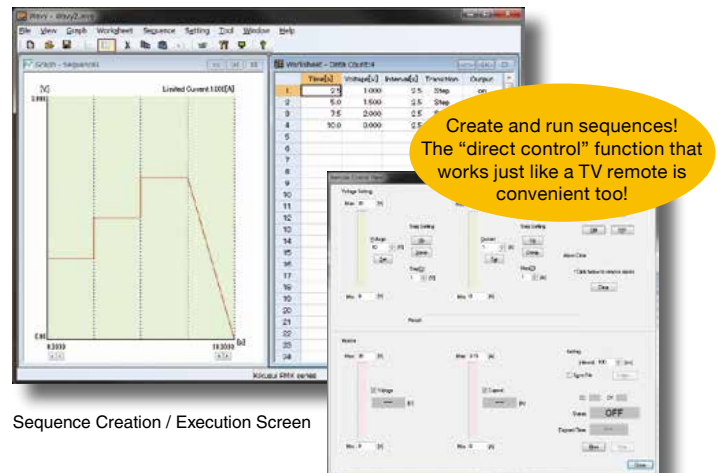
Sequence Creation Software SD025-PMX (Wavy for PMX)

**The software that supports to the auto testing of the power supply.
And it allows you to create and edit sequence data easily using a mouse !**

The SD025-PMX (Wavy for PMX) is an application software that supports sequence creation and the operation of the Kikusui power supply and the electronic load. The "Wavy" software allows you to create and edit sequences visually using a mouse without programming knowledge. It enables you to control the power supply in much the same way as remote controller for such monitoring the voltage and current, logging and so on.

[Operating environment, conditions]

- The "Wavy" software can control only one unit of the power supply.
- CPU: Recommended: Core2 or better
- CD-ROM: Required to install the "Wavy"
- Mouse: Required
- Monitor: 1024 x 768 dots or higher resolution
- Memory: 2GB or more
- Interfaces: LAN, USB, RS232C



Sequence Creation / Execution Screen

Direct Control Screen

**Create and run sequences!
The "direct control" function that works just like a TV remote is convenient too!**



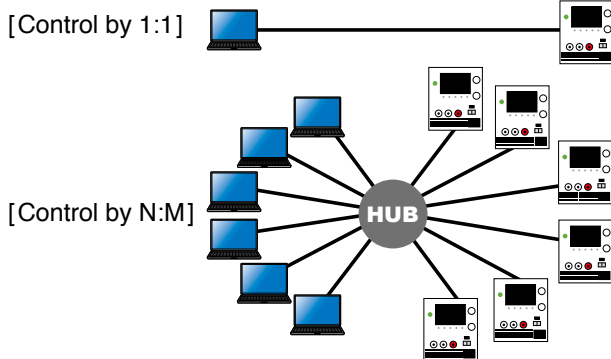
Digital, analog and other various external controls are supported. Remote control and monitoring can also be performed from Web browsers!

The PMX-A series is equipped with LAN, USB, and RS232C interfaces as standard communication interfaces. These interfaces enable remote control and monitoring to be performed efficiently in 1-to-N node configurations as well as in N-to-M node configurations even under large-scale networks. In particular, the LAN interface enables you to control and monitor the power supply through a browser on the PC, smartphone, tablet, or other terminal devices by accessing the built-in Web server of the PMX-A series.

LAN Interface

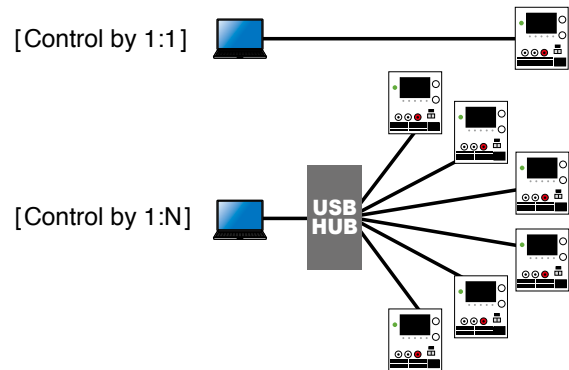
The LAN interface can control the number of devices with high speed, and it's theoretical controllable maximum number is to be calculated by approximately 4.2 billion. (The maximum transmission speed varies by the number of connected devices) In accordance with its applied standard, it is possible to combine the device that is to control or to be controlled, it is also the feature that it can be used with various applications. Also, in computers installed with Apple Bonjour, it is possible to access with a host name instead of the IP address.

● **AUTO MDIX function:** The PMX-A series can automatically identify the type of LAN cable whether straight or cross is connected and it connects using the appropriate method.



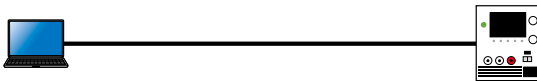
USB Interface

The USB interface has a feature of high versatility, and the ease of a setup. The automatic recognition by the plug and play releases a user from the complex setting operation under the digital control, and it can be suitable interface when control by 1:1. In accordance with the standard, the maximum number of the connected devices can be configured up to 127 units. Moreover, the USB interface of the PWX series complies to USB2.0, and it has realized transmission speed of a maximum of 12 Mbps (es) (Full Speed).



RS232C Interface

It can be used for communication with PCs and sequencers.



Easy access with the built-in web server

Use a browser from a PC, smartphone, or tablet to access the web server built into the PMX-A series for convenient control and monitoring.

[Recommended browser]

- Requires for the Internet Explorer version 9.0 or later
- Requires for the firefox 8.0 or later
- Requires for the safari / mobile Safari 5.1 or later
- Requires for the Chrome 15.0 or later
- Requires for the Opera 11.0 or later

* Connecting with a smartphone, tablet, etc. requires a Wi-Fi environment (wireless LAN router etc.).





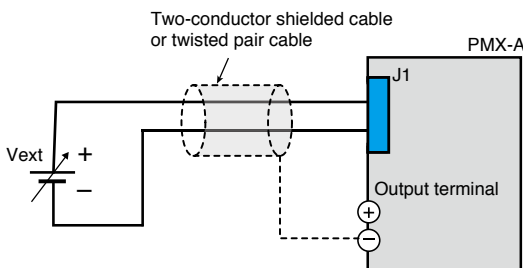
■ Analog Interface

The PMX-A series is equipped with external voltage/resistance control, which are interfaces necessary for analog external control and monitoring applications for test power supply devices. The input external signal and the output status signal can be conducted through the J1 connector on the rear panel.

● Controlling the Output Voltage & Output Current.

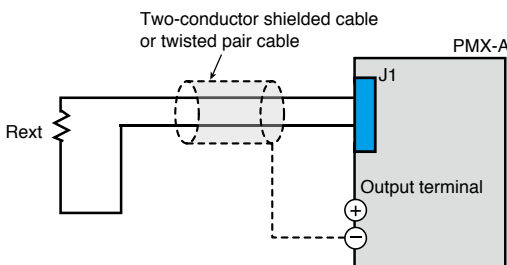
[Control using an external voltage(Vext)]

It is possible to control the output voltage and output current of the PMX-A series by using an external voltage.



[Control using an external resistance(Rext)]

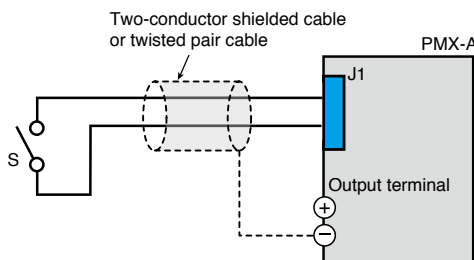
It is possible to control the output voltage and output current of the PMX-A series by using an external variable resistor.



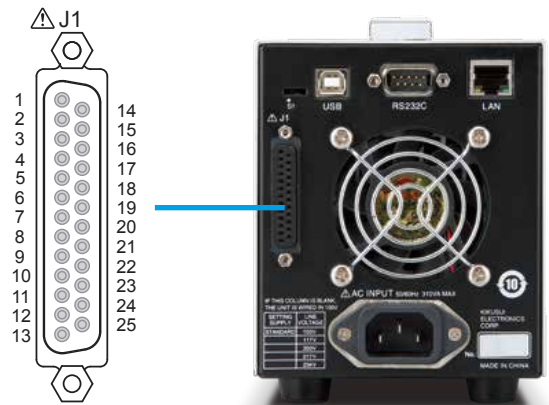
● Turning output on and off

[Control using an external contact (S)]

It is possible to turn the output ON/OFF of the PMX-A series by using an external contact.



J1 connector pin arrangement



Pin number positions when you are facing the rear panel

Pin No.	Signal name	Description
1	VMON	Output voltage monitor; outputs 0 V to 10 V for 0 % to 100 % of the rated output voltage.
2	IMON	Output current monitor; outputs 0 V to 10 V for 0 % to 100 % of the rated output current.
3	ACOM	External signal common for pins 1, 2, 4, and 14. *1
4	EXT-V CV CONT	Output voltage control using external voltage; receives 0 V to 10 V to output 0 % to 100 % of the rated voltage.
5	ACOM	External signal common for pins 1, 2, 4, and 14. *1
6	EXT-R CV CONT	Output voltage control using external resistance; uses 0 Ω to 10 k Ω to output 0 % to 100 % of the rated voltage.
7	EXT-R CV CONT COM	Common for output voltage control using external resistance.
8	N.C.	Not connected.
9	N.C.	Not connected.
10	N.C.	Not connected.
11	CV STATUS	On when the PMX series is in CV mode (open-collector output from a photocoupler). *2
12	CC STATUS	On when the PMX series is in CC mode (open-collector output from a photocoupler). *2
13	ALM STATUS	On when a protection function (OVP, OCP, or OHP) is activated (open-collector output from a photocoupler). *2
14	EXT-V CC CONT	Output current control using external voltage; receives 0 V to 10 V to output 0 % to 100 % of the rated current.
15	ACOM	External signal common for pins 1, 2, 4, and 14. *1
16	EXT-R CC CONT	Output current control using external resistance; uses 0 Ω to 10 k Ω to output 0 % to 100 % of the rated current.
17	EXT-R CC CONT COM	Common for output current control using external resistance.
18	OUT ON/OFF CONT	Output on/off control using external contact input.
19	DCOM	External signal common for pin 18. *1
20	N.C.	Not connected.
21	N.C.	Not connected.
22	N.C.	Not connected.
23	OUT ON STATUS	On when output is on (output through an open-collector photocoupler). *2
24	PWR ON STATUS	On when the power is on (output through an open-collector photocoupler). *2
25	STATUS COM	Status signal common for pins 11, 12, 13, 23, and 24.

*1. During remote sensing, this is the negative electrode (-S) of sensing input.

When remote sensing is not being performed, this is disconnected to the negative output.

*2. Open collector output: maximum voltage 30 V, maximum current (sink) 8 mA; the status common is floating (isolation voltage or less), it is isolated from the control circuit.

Specifications

Model		PMX18-2A	PMX18-5A	PMX35-1A	PMX35-3A	PMX70-1A	PMX110-0.6A	PMX250-0.25A	PMX350-0.2A	PMX500-0.1A	
AC input											
Nominal input rating		100 Vac *1, 50 Hz / 60 Hz, single phase									
Input voltage range		± 10 %									
Input frequency range		47 Hz to 63 Hz									
Inrush current (MAX) *2		50 Amax or less	60 Amax or less	45 Amax or less	60 Amax or less	65 Amax or less	55 Amax or less	40 Amax or less	55 Amax or less	40 Amax or less	
Power (MAX) *3		150 VA	310 VA	150 VA	310 VA	230 VA	210 VA	210 VA	230 VA	170 VA	
Output											
Rating	Output voltage	18.00 V	18.00 V	35.00 V	35.00 V	70.00 V	110.0 V	250.0 V	350.0 V	500.0 V	
	Output current	2.000 A	5.000 A	1.000 A	3.000 A	1.000 A	0.600 A	0.250 A	0.200A	0.100 A	
	Output power	36 W	90 W	35 W	105 W	70 W	66 W	62.5 W	70 W	50 W	
Voltage	Setting range	0 V to 18.90 V	0 V to 18.90 V	0 V to 36.75 V	0 V to 36.75 V	0 V to 73.5 V	0 V to 115.5 V	0 V to 262.5 V	0 V to 367.5 V	0 V to 525.0 V	
	Setting resolution *4	1 mV				2 mV	10mV				
	Setting accuracy	± (0.2 % of setting +0.1 % of rating)									
	Line regulation *5	±1 mV	±1 mV	±3 mV	±3 mV	±5 mV	±7 mV	±15 mV	±25 mV	±30 mV	
	Load regulation *6	±2 mV	±5 mV	±3 mV	±4 mV	±5 mV	±7 mV	±15 mV	±25 mV	±30 mV	
	Transient response *7	50 μs				100 μs					
	Ripple noise (rms) *8	0.5 mV				1 mV	2 mV	3 mV	5 mV	10 mV	
	Rise time *9	Rated load	120 ms or less			150 ms or less	120 ms or less	120 ms or less	150 ms or less	120 ms or less	
		No load	120 ms or less			150 ms or less	120 ms or less	120 ms or less	150 ms or less	120 ms or less	
	Fall time *10	Rated load	50 ms or less			50 ms or less	50 ms or less	50 ms or less	80 ms or less	50 ms or less	
		No load	270 ms or less	320 ms or less	270 ms or less	270 ms or less	120 ms or less	120 ms or less	220 ms or less	60 ms or less	
	Maximum remote sensing compensation voltage(single line)		0.6 V				—				
	Temperature coefficient (TYP)		100 ppm / °C								
Current	Setting range	0 A to 2.1 A	0 A to 5.25 A	0 A to 1.05 A	0 A to 3.15 A	0 A to 1.050 A	0 A to 0.630 A	0 A to 0.263 A	0 A to 0.210 A	0 A to 0.105 A	
	Setting resolution *4	0.1 mA									
	Setting accuracy	± (0.3 % of setting +0.1 % of rating)									
	Line regulation	±5 mA			±3 mA	±2 mA	±2 mA	±1 mA	±1 mA	±1 mA	
	Load regulation	±5 mA			±5 mA	±5 mA	±5 mA	±5 mA	±5 mA	±3 mA	
	Ripple noise (rms) *8	1 mA	2 mA	1 mA	1 mA	1 mA					
Temperature coefficient (TYP)		200 ppm / °C									
Display function											
Voltage display	Maximum display	99.99 (fixed decimal point)					999.9 (fixed decimal point)				
	Display accuracy *11	± (0.5 % of reading +2 digits)									
Current display	Maximum display	9.999 (fixed decimal point)									
	Display accuracy *11	± (1 % of reading +5 digits)									
Operation display	OUTPUT ON / OFF	Output on: OUTPUT LED lights in green.Output off: OUTPUT LED turns off.									
	CV operation	CV LED lights in green.									
	CC operation	CC LED lights in red.									
	Alarm operation	ALARM LED lights in red when a protection function has been activated.									
	Remote operation		REMOTE LED lights in green during remote control.								
		LAN operation	LAN LED lights or blinks depending on the LAN communication status. No fault status: Lights in green.Fault status: Lights in red.Standby status: Lights in orange.WEB identify status: Blinks green.								
	Key lock operation	LOCK LED lights in green when the keys are locked.									
Preset memory		When a preset memory entry is being used, the PRESET A, B, or C LED lights in green.									
Protection functions											
Overvoltage protection (OVP)	Operation	Turns the output off, displays OVP, and lights ALARM									
	Setting range	1.8 V to 19.8 V	1.8 V to 19.8 V	3.5 V to 38.5 V	3.5 V to 38.5 V	7 V to 77.0 V	11 V to 121.0 V	25 V to 275.0 V	35 V to 385.0 V	50 V to 550.0 V	
	Setting accuracy	10 % to 110 % of the rated output voltage ± (1 % of rating)									
Overcurrent protection (OCP)	Operation *12	Turns the output off, displays OCP, and lights ALARM									
	Setting range	0.2 A to 2.2 A	0.5 A to 5.5 A	0.1 A to 1.1 A	0.3 A to 3.3 A	0.100 A to 1.100 A	0.060 A to 0.660 A	0.025 A to 0.275 A	0.020 A to 0.220 A	0.010 A to 0.110 A	
	Setting range	10 % to 110 % of the rated output current ± (1 % of rating)									
Overheat protection (OHP)	Operation	Turns the output off, displays OHP, and lights ALARM									
External Control - Signal output											
Monitor signal output *13, *14	Voltage monitor (VMON)	At rated voltage output	10.00 V ±0.1 V								
		At 0 V output	0.00 V ±0.1 V								
	Current monitor (IMON)	At rated current output	10.00 V ±0.1 V								
		At 0 A output	0.00 V ±0.1 V								
Status signal output *14, *15	OUTON STATUS	Turns on when the output is on									
	CV STATUS	Turns on during CV operation									
	CC STATUS	Turns on during CC operation									
	ALM STATUS	Turns on when an alarm has been activated									
	PWR ON STATUS	Turns on when the power is turned on									
External control *16	EXT-V CV CONT (CV external voltage control)	Accuracy	1 % of rating +10 mV				1 % of rating				
			0 % to 100 % of the rated output voltage in the range of 0 V to 10 V.								
	EXT-R CV CONT (CV external resistance control)	Accuracy	1 % of rating +10 mV				1 % of rating				
			0 % to 100 % of the rated output voltage in the range of 0 Ω to 10 kΩ.								
	EXT-V CC CONT (CV external voltage control)	Accuracy	1 % of rating +10 mA				1 % of rating				
			0 % to 100 % of the rated output current in the range of 0 V to 10 V.								
EXT-R CC CONT (CV external resistance control)	Accuracy	1 % of rating +10 mA				1 % of rating					
		0 % to 100 % of the rated output current in the range of 0 Ω to 10 kΩ.									
OUTPUT ON/OFF CONT (Output on/off control)		Possible logic selections: Turn the output on using a LOW (0 V to 0.5 V) or short-circuit, turn the output off using a HIGH (4.5 V to 5 V) or open-circuit. Turn the output on using a HIGH (4.5 V to 5 V) or open-circuit, turn the output off using a LOW (0 V to 0.5 V) or shortcircuit.									
Other features											
Preset memory		Save up to 3 combinations of the voltage and current setting value.									
Key lock		Select from the following three modes. Loc1: Locks the operation of all keys except the OUTPUT key and the preset memory A, B, and C keys. Loc2: Locks the operation of all keys except than the OUTPUT key. Loc3: Locks the operation of all keys and the rotary knob.									

Specifications

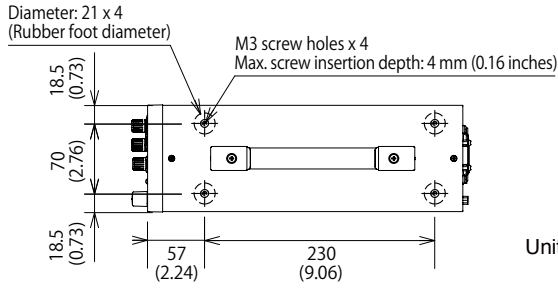
Model		PMX18-2A	PMX18-5A	PMX35-1A	PMX35-3A	PMX70-1A	PMX110-0.6A	PMX250-0.25A	PMX350-0.2A	PMX500-0.1A	
Interface											
Common specifications	Software protocol	IEEE Std 488.2-1992									
	Command language	Complies with SCPI Specification 1999.0									
RS232C	Hardware	Complies with the EIA232D specifications D-SUB9 pin connector (male) *17 Baud rate: 19200 bps fixed, Data length: 8 bits, Stop bits: 1 bit, Parity bit: None, No flow control.									
	Program message terminator	LF during reception, LF during transmission									
USB	Hardware	Complies with the USB 2.0 specifications. Baud rate:12 Mbps (full speed). Standard Type B socket									
	Program message terminator	LF or EOM during reception, LF + EOM during transmission									
	Device class	Complies with the USBTMC-USB488 device class specifications									
LAN	Hardware	IEEE 802.3 100Base-TX / 10Base-T Ethernet Complies with LXI Device Core Specification 2011 Rev 1.4 IPv4, RJ-45 connector *18									
	Communication protocol	VXI-11, HiSLIP, or SCPI-RAW									
	Program message terminator	VXI-11 and HiSLIP: LF or END during reception, LF + END during transmission SCPI-RAW: LF during reception, LF during transmission									
General specifications											
Weight (main unit only)		Approximately 5 kg (11.02 lbs)	Approximately 6 kg (13.23 lbs)	Approximately 5 kg (11.02 lbs)	Approximately 6 kg (13.23 lbs)	Approximately 6 kg (13.23 lbs)	Approximately 6 kg (13.23 lbs)	Approximately 6 kg (13.23 lbs)	Approximately 6 kg (13.23 lbs)	Approximately 6 kg (13.23 lbs)	
Dimensions (mm(inch))(maximum dimensions)		107 (4.21") Wx124 (4.88") (150 (5.91")) Hx315 (12.40") (350 (13.78")) Dmm					107 (4.21") Wx124 (4.88")(150 (5.91")) Hx315 (12.40")(355 (13.98")) Dmm				
Environmental conditions	Operating environment	Indoor use, overvoltage category II									
	Operating temperature / Operating humidity	0 °C to +40 °C / 20 %rh to 85 %rh (no condensation) (32 °F to +104 °F)									
	Storage temperature / Storage humidity	-25 °C to +70 °C / 90 %rh or less (no condensation) (-13 °F to +158 °F)									
	Altitude	Up to 2000 m									
Cooling method		Forced air cooling using fan									
Grounding polarity		Negative grounding or positive grounding possible									
Isolation voltage		±70 Vdc				±550 Vdc					
Withstand voltage	Between input and FG	No abnormalities at 1500 Vac for 1 minute				No abnormalities at 1500 Vac for 1 minute					
	Between input and output	No abnormalities at 2100 Vac for 1 minute									
	Between output and FG	No abnormalities at 1600 Vac for 1 minute				No abnormalities at 2000 Vac for 1 minute					
Insulation resistance	Between input and FG	500 Vdc, 30 MΩ or more				1000 Vdc, 30 MΩ or more					
	Between input and output	500 Vdc, 30 MΩ or more									
	Between output and FG	1000 Vdc, 30 MΩ or more									
Safety *19		Complies with the requirements of the following directive and standard.Low Voltage Directive 2006 / 95 / EC EN 61010-1 (Class I *20, Pollution degree 2)									
Electromagnetic compatibility *19		Complies with the requirements of the following directive and standards.EMC Directive 2004 / 108 / EC EN 61326-1 (Class A *21) , EN 55011 (Class A *21, Group 1 *22) , EN 61000-3-2, EN 61000-3-3 Applicable under the following conditions The maximum length of all cabling and wiring connected to the PMX-A must be less than 3 m.									
Accessories		Power cord: 1 pc (Approximately 2.5 m). Packing list: 1 copy. Quick reference: Japanese:1 copy, English: 1 copy, Chinese: 1 copy. Safety precautions: 1 copy. CD-ROM: 1 disc.									

Unless specified otherwise, the specifications are for the following settings and conditions.

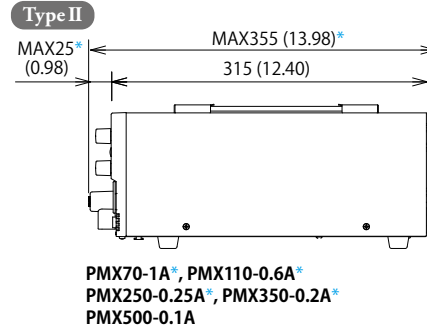
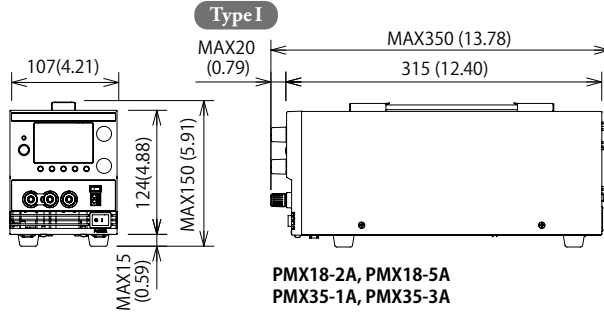
- Loads are pure resistive loads.
- The warm-up time is 30 minutes (with current flowing).
- Negative output is connected to the chassis terminal using the short bar.
- Values indicated by "TYP" are typical values. They are not guaranteed performance values.
- Values indicated by "rating" are rated values.
- Values indicated by "setting" are setting values.
- Values indicated by "reading" are readout values.
- Rated load and no load are defined as follows:
In constant-voltage mode (when the output current is set to a value greater than or equal to the maximum output current with rated output voltage)
Rated load: Refers to a resistive load that, when the rated output voltage is applied, makes the flowing current 95 % to 100 % of the maximum output current with rated output voltage.
No load: Refers to a load through which no output current flows. In other words, refers to an open load (no load being connected).
In constant-current mode (when the output voltage is set to a value greater than or equal to the maximum output voltage with rated output current)
Rated load: Refers to a resistive load that, when the rated output current flows, makes the voltage drop to 95 % to 100 % of the maximum output voltage with rated output current.
Including the voltage drop in the load cables, the PMX-A output voltage must not exceed the maximum output voltage with rated output current.
No load: Refers to a resistive load that, when the rated output current flows, makes the voltage drop to 10 % of the maximum output voltage with rated output current or 1 V whichever is higher.

- *1. 117 Vac, 200 Vac, 217 Vac and 234 Vac are factory options.
- *2. Excludes the charge current component that flows through the capacitor of the internal EMC filter circuit immediately after the POWER switch is turned on (for approximately 1 ms).
- *3. With the rated load.
- *4. When the output is on, hold down SHIFT and turn the VOLTAGE or CURRENT knob to change the value at 1/10th the resolution of the minimum digit.
When the output is off, hold down SHIFT and turn the VOLTAGE or CURRENT knob to change the value at increments of 1 in the minimum digit.
If you are setting the value through the communication interface, you can set the value at 1/10th the resolution of the minimum digit, regardless of whether the output is on.
- *5. 100 Vac to 90 Vac or 100 Vac to 110 Vac, rated load.
- *6. The amount of change that occurs when the load is changed from no load to rated load with rated output voltage. The value is measured at the sensing point.
- *7. The amount of time required for the output voltage to return to a value within "rated output voltage±(0.05 % + 10mV)." When the load current is changed from 10 % to 100 % of the rated output current
- *8. When the measurement frequency bandwidth is 5 Hz to 1 MHz.
- *9. The time it takes for the output voltage to rise from 10 % to 90 % of the rating when the output is turned on.
- *10. The time it takes for the output voltage to fall from 90 % to 10 % of the rating when the output is turned off.
- *11. Ambient temperature at 23 °C ±5 °C.
- *12. This does not protect against the discharge current peak that is generated from the capacitors inside the PMX-A output section when the load is changed suddenly.
- *13. When remote sensing is used, connect the monitor signal's common line to the negative S terminal of the sensing terminal. When remote sensing is not used, connect it to the negative output terminal.
- *14. J1 connector on the rear panel.
- *15. Photocoupler open collector output; maximum voltage 30 V, maximum current (sink) 8 mA; isolated from the output and control circuits; status commons are floating (isolation voltage or less); and status signals are not mutually isolated.
- *16. J1 connector on the rear panel.
- *17. Use a cross cable (null modem cable).
- *18. Category 5; use a straight cable.
- *19. Limited to products that have the CE mark on their panels. Does not apply to specially ordered or modified PMX-As.
- *20. This is a Class I equipment. Be sure to ground this product's protective conductor terminal. The safety of this product is only guaranteed when the product is properly grounded.
- *21. This is a Class A equipment. This product is intended for use in an industrial environment. This product may cause interference if used in residential areas. Such use must be avoided unless the user takes special measures to reduce electromagnetic emissions to prevent interference to the reception of radio and television broadcasts.
- *22. This is a Group 1 equipment. This product does not generate and/or use intentionally radio-frequency energy, in the form of electromagnetic radiation, inductive and/or capacitive coupling, for the treatment of material or inspection/analysis purpose.

Dimensions



Unit: mm (inches)



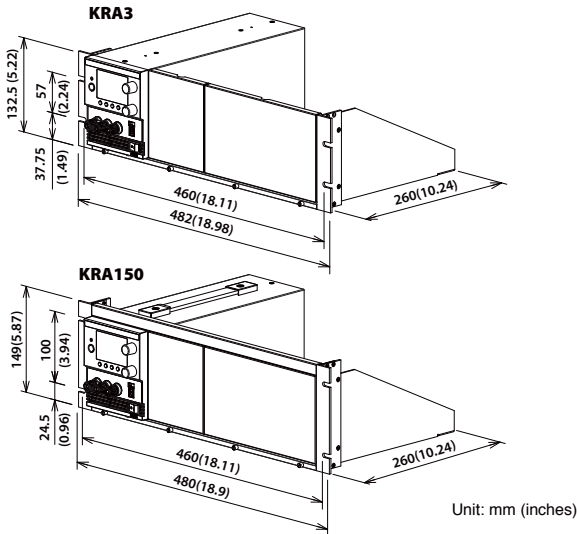
* The model specified above is equipped with the safety cover, so the maximum depth is different from the other models.

Option

Name	Model	Note
Rack mount adapter	KRA3	For EIA inch racks
	KRA150	For JIS millimeter racks
Blank panel	KBP3-2 (1/2 width)	For both EIA inch racks and JIS millimeter racks
	BP191(-M) *1	For EIA inch racks
	BP1H(-M) *1	For JIS millimeter racks

*1 The "-M" at the end of the model name indicates a mesh type.

Name	Model	Note
Connector kit	OP01-PMX	A connector kit for connecting to the J1 connector to externally control the PMX.
Terminal unit (for use with the PMC-A series)	TU01-PMX	A terminal unit for converting the J1 connector of this product to the J2 connector of the Kikusui PMC-A Series Regulated DC Power Supply.



KIKUSUI ELECTRONICS CORPORATION

1-1-3, Higashiyamata, Tsuzuki-ku, Yokohama, 224-0023, Japan
Phone: (+81) 45-593-7570, Facsimile: (+81) 45-593-7571, www.kikusui.co.jp

KIKUSUI AMERICA, INC. 1-877-876-2807 www.kikusuiamerica.com

2975 Bowers Avenue, Suite 307, Santa Clara, CA 95051
Phone: 408-980-9433 Facsimile: 408-980-9409

KIKUSUI TRADING (SHANGHAI) Co., Ltd. www.kikusui.cn

Room 216, Building 4, No.641, Tianshan Road, Shanghai City, China
Phone: 021-5887-9067 Facsimile: 021-5887-9069

For our local sales distributors and representatives, please refer to "sales network" of our website.

●Distributor/Representative

■ All products contained in this catalogue are equipment and devices that are premised on use under the supervision of qualified personnel, and are not designed or produced for home-use or use by general consumers. ■ Specifications, design and so forth are subject to change without prior notice to improve the quality. ■ Product names and prices are subject to change and production may be discontinued when necessary. ■ Product names, company names and brand names contained in this catalogue represent the respective registered trade name or trade mark. ■ Colors, textures and so forth of photographs shown in this catalogue may differ from actual products due to a limited fidelity in printing. ■ Although every effort has been made to provide the information as accurate as possible for this catalogue, certain details have unavoidably been omitted due to limitations in space. ■ If you find any misprints or errors in this catalogue, it would be appreciated if you would inform us. ■ Please contact our distributors to confirm specifications, price, accessories or anything that may be unclear when placing an order or concluding a purchasing agreement.