



www.kikusui.co.jp

ELECTRICAL SAFETY TESTERS

Withstanding Voltage and Insulation Resistance Testers

Withstanding Voltage Testers

Insulation Resistance Testers

Earth Continuity Testers



ISO 14001
ISO 9001:2000
JQA-EM1176
JQA-1100
Oscilloscopes
Withstanding Voltage Testers
Power Supply Equipment

TOS SERIES

ELECTRICAL SAFETY TESTER

ELECTRICAL SAFETY TESTERS LINEUP

TOS9201

AC/DC WITHSTANDING VOLTAGE AND INSULATION RESISTANCE TESTER

GPIB RS-232C DRIVERS CE



TOS9200

AC WITHSTANDING VOLTAGE AND INSULATION RESISTANCE TESTER

GPIB RS-232C DRIVERS CE



TOS9221

HIGH-VOLTAGE SCANNER (CONTACT CHECK FUNCTION)

CE



TOS9220

HIGH-VOLTAGE SCANNER

CE



TOS8870A

AC WITHSTANDING VOLTAGE AND INSULATION RESISTANCE TESTER

CE



TOS5101

AC/DC WITHSTANDING VOLTAGE TESTER

UL LISTED CE*



TOS5051

AC/DC WITHSTANDING VOLTAGE TESTER

UL LISTED



TOS5050

AC WITHSTANDING VOLTAGE TESTER

UL LISTED



TOS5030

AC WITHSTANDING VOLTAGE TESTER

UL LISTED CE*



TOS5051A

AC/DC WITHSTANDING VOLTAGE TESTER

RS-232C CE*



TOS5050A

AC WITHSTANDING VOLTAGE TESTER

RS-232C CE*



TOS5052

AC WITHSTANDING VOLTAGE TESTER (RISE-TIME CONTROL FUNCTION)

CE*



TOS7200

INSULATION RESISTANCE TESTER

RS-232C CE



TOS6210

EARTH CONTINUITY TESTER

GPIB RS-232C DRIVERS

NEW



TOS6200

EARTH CONTINUITY TESTER

GPIB RS-232C DRIVERS CE



NOTE: Marking



Products equipped with these interfaces as standard.



Products adapted to either VisualBasic, LabVIEW and LabWindows / CVI.

Refer to the download service for drivers at Kikusui Web site.



UL listed products



CE marked products



These products are limited to available for CE marking model in the specific input voltage, please contact our local distributor for further detailed information.

ELECTRICAL SAFETY TESTERS

The Electrical Appliance & Material Safety Law (Japan), UL (U.S.A.), CSA (Canada), VDE (Germany) and BS (U.K) are some major examples of safety standards in use throughout the world that require the performing of withstanding voltage testing. For this reason, it is necessary to confirm for what portion of what standard testing is to be performed when purchasing a withstanding voltage tester. Although the 500 VA capacity withstanding voltage testers available from KIKUSUI can basically be applied to tests specified in all safety standards, we recommend that you consult with us prior to purchase in order to select the model that best matches your specific application.

CONTENTS

ELECTRICAL SAFETY TESTERS QUICK REFERENCE P4 to 5

WITHSTANDING VOLTAGE AND INSULATION RESISTANCE TESTER / TOS9200 SERIES P6 to 16

WITHSTANDING VOLTAGE AND INSULATION RESISTANCE TESTER / TOS8870A P17 to 19

WITHSTANDING VOLTAGE TESTER / TOS5000 SERIES P20 to 23

WITHSTANDING VOLTAGE TESTER / TOS5000A SERIES P24 to 26

WITHSTANDING VOLTAGE TESTER / TOS5052 P27 to 28

INSULATION RESISTANCE TESTER / TOS7200 P29 to 31

EARTH CONTINUITY TESTER / TOS6210 P32 to 34

EARTH CONTINUITY TESTER / TOS6200 P35 to 37

OPTION P38 to 39

ELECTRICAL SAFETY TESTERS QUICK REFERENCE

Item		Withstanding Voltage and Insulation Resistance Tester TOS9201	Withstanding Voltage and Insulation Resistance Tester TOS9200	Withstanding Voltage and Insulation Resistance Tester TOS8870A	Withstanding Voltage Tester TOS5101	
AC Withstanding Voltage test mode	Output-voltage Range	0.05kV to 5.00kV	0.05kV to 5.00kV	0 to 2.5kV/0 to 5.0kV (two ranges)	0 to 5kV/0 to 10kV (two ranges)	
	Output-voltage Resolution	10V	10V	-	-	
	Output-voltage Accuracy	±(1.5 % of setting + 20 V)	±(1.5 % of setting + 20 V)	-	-	
	Maximum rated load	500VA	500VA	500VA	500VA	
	Output-voltage Waveform	Sine wave	Sine wave	AC line waveform	AC line waveform	
	Frequency	50Hz/60Hz	50Hz/60Hz	AC line frequency	AC line frequency	
	Output Voltmeter Accuracy	Analog	±5%fs	±5%fs	±1.5%fs (with limited conditions)	±5%fs
		Digital	±(1.0% of reading+30V)	±(1.0% of reading+30V)	-	±1.5%fs
	Current Measurement Range	0.00mA to 110mA	0.00mA to 110mA	0.5mA to 100mA (seven ranges)	0.1mA to 55mA	
	Current Measurement Accuracy	±(3% of reading+20µA)	±(3% of reading+20µA)	-	±(5% of upper limit+20µA)	
	Current Judgement Accuracy	±(3% of setting+20µA)	±(3% of setting+20µA)	±5% of upper limit	±(5% of upper limit+20µA)	
	Setting Range for the Test Time	0.3s to 999s	0.3s to 999s	0.2s to 99.9s(X0.1 range) 1s to 999s(X1 range)	0.5s to 999s	
	Acceptance Determination by the Window Comparator Method	✓	✓	✓	✓	
Rise-Time Control Function	✓	✓	-	-		
DC Withstanding Voltage test mode	Output-voltage Range	0.05kV to 6.00kV	-	-	0 to 5kV/0 to 10kV (two ranges)	
	Output-voltage Resolution	10V	-	-	-	
	Output-voltage Accuracy	±(1.0 % of setting + 30 V)	-	-	-	
	Output Voltmeter Accuracy	Analog	±5%fs	-	-	±5%fs
		Digital	±(1.0 % of reading + 30 V)	-	-	±1.5%fs
	Current Measurement Range	0.00mA to 11mA	-	-	0.1mA to 5.5mA	
	Current Measurement Accuracy	±(3% of reading+20µA)	-	-	±(5% of upper limit+20µA)	
	Current Judgement Accuracy	±(3% of setting+20µA)	-	-	±(5% of upper limit+20µA)	
	Setting Range for the Test Time	0.3s to 999s	-	-	0.5s to 999s	
	Acceptance Determination by the Window Comparator Method	✓	-	-	✓	
Rise-Time Control Function	✓	-	-	-		
Insulation Resistance test mode	Output-voltage Range	-25V to -1000V DC	-25V to -1000V DC	-500V/-1000V DC (two ranges)	-	
	Output-voltage Resolution	1V	1V	-	-	
	Output-voltage Accuracy	±(1.5 % of setting + 2 V)	±(1.5 % of setting + 2 V)	-	-	
	Maximum Rated Load	1mA	1mA	-	-	
	Output Voltmeter Accuracy	Analog	±5%fs	±5%fs	-	-
		Digital	±(1% of reading + 1 V)	±(1% of reading + 1 V)	-	-
	Resistance Meter Measurement Range	0.01MΩ to 9.99GΩ	0.01MΩ to 9.99GΩ	1 to 1000MΩ(500V ranges) 2 to 2000MΩ(1000V ranges)	-	
	Setting Range for the Test Time	0.5s to 999s	0.5s to 999s	0.5s to 99.9s(X0.1 range) 1s to 999s(X1 range)	-	
Acceptance Determination by the Window Comparator Method	✓	✓	✓	-		
Earth Continuity test mode	Output Current Setting Range	-	-	-	-	
	Output Current Setting Resolution	-	-	-	-	
	Output Ammeter Accuracy	-	-	-	-	
	Output Voltmeter Accuracy	-	-	-	-	
	Output Frequency	-	-	-	-	
	Ohmmeter Measurement Range	-	-	-	-	
	Ohmmeter Measurement Resolution	-	-	-	-	
	Setting Range for the Test Time	-	-	-	-	
Others	External Remote I/F	GPIO/RS-232C	GPIO/RS-232C	-	-	
	Readback of the measured data to the external	GPIO/RS-232C	GPIO/RS-232C	-	-	
	Memory Function	✓	✓	-	-	
	Multi Channels Capability	High Voltage Scanner Unit	High Voltage Scanner Unit	-	-	
	Power Nominal Voltage Range	100V to 120V AC/200V to 240V AC Selectable	100V to 120V AC/200V to 240V AC Selectable	100V±10% Can be Factory-modified to nominal 110V, 120V, 220V, 230V and 240V	100V±10% Can be Factory-modified to nominal 110V, 120V, 220V, 230V and 240V	
	CE Marking	✓	✓	✓	230V AC Input model only	
Reference page		6 to 16	6 to 16	17 to 19	20, 22, 23	

Withstanding Voltage Tester TOS5051/5051A	Withstanding Voltage Tester TOS5050/5050A	Withstanding Voltage Tester TOS5030	Withstanding Voltage Tester TOS5052	Insulation Resistance Tester TOS7200	Earth Continuity Tester TOS6210	Earth Continuity Tester TOS6200
0 to 2.5kV/0 to 5.0kV (two ranges)	0 to 2.5kV/0 to 5.0kV (two ranges)	0 to 3kV	0 to 2.5kV/0 to 5.0kV (two ranges)	-	-	-
-	-	-	10V	-	-	-
-	-	-	±(2 % of setting + 2digits) at 0.20kV or higher with no load	-	-	-
500VA	500VA	30VA	500VA	-	-	-
AC line waveform	AC line waveform	AC line waveform	Sine wave	-	-	-
AC line frequency	AC line frequency	AC line frequency	50Hz/60Hz	-	-	-
±5%fs	±5%fs	±5%fs	±5%fs	-	-	-
±1.5%fs	±1.5%fs	-	±1.5%fs	-	-	-
0.1mA to 110mA	0.1mA to 110mA	0.5/1/2/5/10mA	0.00mA to 110mA	-	-	-
±(5% of upper limit+20µA)	±(5% of upper limit+20µA)	-	±(5% of upper limit+20µA)	-	-	-
±(5% of upper limit+20µA)	±(5% of upper limit+20µA)	±5% of preset cutoff current	±(5% of upper limit+20µA)	-	-	-
0.5s to 999s	0.5s to 999s	-	0.3s to 999s	-	-	-
✓	✓	-	✓	-	-	-
-	-	-	✓	-	-	-
0 to 2.5kV/0 to 5.0kV (two ranges)	-	-	-	-	-	-
-	-	-	-	-	-	-
-	-	-	-	-	-	-
±5%fs	-	-	-	-	-	-
±1.5%fs	-	-	-	-	-	-
0.1mA to 11mA	-	-	-	-	-	-
±(5% of upper limit+20µA)	-	-	-	-	-	-
±(5% of upper limit+20µA)	-	-	-	-	-	-
0.5s to 999s	-	-	-	-	-	-
✓	-	-	-	-	-	-
-	-	-	-	-	-	-
-	-	-	-	-25V to -1000V DC	-	-
-	-	-	-	1V	-	-
-	-	-	-	±(1.5 % of setting + 2 V)	-	-
-	-	-	-	1mA	-	-
-	-	-	-	-	-	-
-	-	-	-	±(1% of reading + 1 V)	-	-
-	-	-	-	0.01MΩ to 5000MΩ	-	-
-	-	-	-	0.5s to 999s	-	-
-	-	-	-	✓	-	-
-	-	-	-	-	6.0 to 62.0A AC	3.0 to 30.0A AC
-	-	-	-	-	0.1A	0.1A
-	-	-	-	-	±(1 % of reading + 0.4A)	±(1 % of reading + 0.2A)
-	-	-	-	-	±(1 % of reading + 0.02V)	±(1 % of reading + 0.02V)
-	-	-	-	-	50/60Hz	50/60Hz
-	-	-	-	-	0.001 to 0.600Ω	0.001 to 1.200Ω
-	-	-	-	-	0.001Ω	0.001Ω
-	-	-	-	-	0.3s to 999s	0.3s to 999s
RS-232C (TOS5051A only)	RS-232C (TOS5050A only)	-	-	RS-232C	GPIO/RS-232C	GPIO/RS-232C
RS-232C (TOS5051A only)	RS-232C (TOS5050A only)	-	-	RS-232C	GPIO/RS-232C	GPIO/RS-232C
-	-	-	-	✓	✓	✓
-	-	-	-	-	-	-
100V±10% Can be Factory-modified to nominal 110V, 120V, 220V, 230V and 240V	100V±10% Can be Factory-modified to nominal 110V, 120V, 220V, 230V and 240V	100V±10% Can be Factory-modified to nominal 110V, 120V, 220V, 230V and 240V	100V±10% Can be Factory-modified to nominal 110V, 120V, 220V, 230V and 240V	100V to 240V	85V to 250V	100V model: 85 to 132V AC 100V/200V model: 85 to 132V AC 170 to 250V AC
TOS5051A (230V AC Input model only)	TOS5050A (230V AC Input model only)	230V AC Input model only	230V AC Input model only	✓	-	✓
21 to 26	21 to 26	21 to 23	27, 28	29 to 31	32 to 34	35 to 37

TOS9200 SERIES

Withstanding Voltage and Insulation Resistance Tester

Perfect design for System Operation, introducing our top of the line of Withstanding Voltage / Insulation Resistance Testers



TOS9201(AC/DC)
TOS9200(AC)



Capable of performing withstanding voltage and insulation testing in comply with safety standards, including IEC, EN, VDE, BS, UL, CSA, JIS and the Electrical Application and Material Safety Law (Japan)

The TOS9200 Series has been developed to meet a wide diversity of customer needs. Including the refinement and enforcement of Kikusui's former series, its specifications reflect the results of detailed study of our large database of user's requirements including special orders and modifying specifications.

The TOS9200 Series consists of four products the testers TOS9200 and TOS9201, and the high-voltage scanners TOS9221 and TOS9220.

The TOS9200 is equipped with AC withstanding voltage and insulation resistance testing functions, while the TOS9201 has a DC withstanding voltage testing function in addition to these two functions. The power block, a core component, employs a high-efficiency switching power supply and a switching amplifier based on PWM systems. These features realize high power and enhanced stability, as well as reducing the size and weight of the unit. When combined with the earth continuity tester TOS6200, the TOS9200 Series integrates three or four types of tests in a single process.

Furthermore, when used together with the high-voltage scanner TOS9220/9221 (equipped with a contact check function), the tester is capable of automatically checking test points for up to 16 channels, thereby facilitating a safe, reliable automatic testing system.

- Rise-time control function
- Fall-time control function
- Offset cancel function
- Measured-value hold function
- Output voltage monitoring function
- Memory function
- Program function
- Interlock Function
- DC Discharge Function

TOS9200 SERIES

Withstanding Voltage and Insulation Resistance Tester

Basic performance

Three functions - AC withstanding voltage testing, DC withstanding voltage testing and insulation resistance testing

The TOS9200 can perform AC withstanding voltage tests and insulation resistance tests, while the TOS9201 can also conduct DC withstanding tests. Once connected to a device being tested, the TOS9201 executes an AC withstanding voltage test, DC withstanding voltage test, and insulation resistance testing in succession in one process.

AC withstanding voltage testing at 5 kV and 100 mA

Equipped with a high-efficiency switching power supply in its high-voltage power block, a PWM-based switching amplifier and a 500 VA high-voltage transformer, the TOS9200/TOS9201 realizes a maximum output of 5 kV/100 mA (continuous output for 30 minutes), or 2.5 times the output of Kikusui's former models. At a test voltage of 500 V or more and an upper current of 100 mA, or greater the tester instantaneously satisfies the requirements of a short-circuit current of 200 mA or more which is required by the IEC standard *. In addition, the tester ensures a load effects of 30% or less and the generation of a consistent 50 Hz/60 Hz test voltage free from the affect of the supply voltage. These features eliminate the need to readjust the output voltage once the test voltage is preset.

*Continuous outputs are impossible because the output is cut off if an overcurrent is detected.

DC withstanding voltage testing at 6 kV and a maximum output of 50 W

The TOS9201 permits DC withstanding voltage testing at up to 6 kV *. The tester is equipped with a stable, low-ripple DC/DC converter with a load factor of 1% or less.

*Maximum output of 50 W for up to 1 minute.

Insulation resistance testing at 25 V to 1000 V and 0.01 MΩ to 9.99 GΩ

The test voltage can be set to 25 V through 1000 V at a resolution of 1 V. Insulation resistance covers a wide measurement range from 0.01 MΩ to 9.99 GΩ *.

Test voltage	Resistance measurement range
25V	0.03 MΩ to 500 MΩ
50V	0.05 MΩ to 1.00 GΩ
100V	0.10 MΩ to 2.00 GΩ
125V	0.13 MΩ to 2.50 GΩ
250V	0.25 MΩ to 5.00 GΩ
500V	0.50 MΩ to 9.99 GΩ
1000V	1.00 MΩ to 9.99 GΩ

A single unit of the TOS9200/9201 is capable of handling all test voltages required by JIS C 1302 1994 (Insulation Resistor Meter) and fully meets the JIS requirements.

*At a maximum rated current of 1 mA to 50 nA.

Enhanced measurement accuracy

The TOS9200/9201 is provided with a digital voltmeter for withstanding voltage testing at an accuracy of $\pm(1\% \text{ of reading} + 30 \text{ V})$ and another one for insulation resistance testing at an accuracy of $\pm(1\% \text{ of reading} + 1 \text{ V})$. Measured values are displayed not only during a test, but while a program is being executed. A digital ammeter with an accuracy of $\pm(3\% \text{ of reading} + 20 \mu\text{A})$ is also provided for withstanding voltage testing. Kikusui's predecessors had a highest measurement resolution of about 1 mA, with an accuracy of $\pm 5\%$ of the upper cutoff current when it is set to 100 mA. In contrast, the digital ammeter allows the TOS9200/9201 to make measurements at an accuracy of $\pm(3\% \text{ of reading} + 20 \mu\text{A})$, even if the upper current is set to 100 mA. The ammeter displays measured values while the program executes, as well as during an AC or DC withstanding voltage test.

Type	Display accuracy
Voltmeter for withstanding voltage testing	$\pm(1\% \text{ of reading} + 30\text{V})$
Ammeter for withstanding voltage testing	$\pm(3\% \text{ of reading} + 20\mu\text{A})$
Voltmeter for insulation resistance testing	$\pm(1\% \text{ of reading} + 1\text{V})$
Insulation resistance meter	$\pm(2\% \text{ of reading})^*$

*At $1 \mu\text{A} < \text{measured current} \leq 1 \text{ mA}$



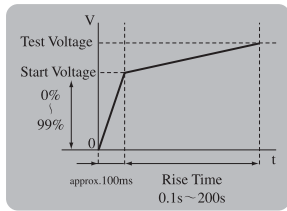
TOS9200 SERIES

Withstanding Voltage and Insulation Resistance Tester

Diverse functions

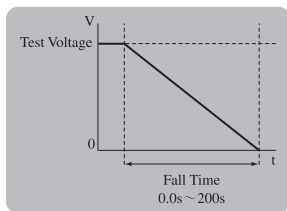
Rise-time control function

In AC withstanding voltage testing, DC withstanding voltage testing and insulation resistance testing, you can apply a voltage gradually to reach the test voltage, instead of applying the test voltage directly at the start of a test. The voltage increase time can be set to 0.1 s through 99.9 s at a resolution of 0.1 s, and to 100 s to 200 s at a resolution of 1 s. The start voltage is also adjustable between 0% and 99% at a resolution of 1%.



Fall-time control function

In AC withstanding voltage testing, you can gradually decrease the test voltage after a PASS judgment. The voltage fall time is adjustable between 0.0 s and 99.9 s at a resolution of 0.1 s, and between 100 s and 200 s at a resolution of 1 s.



Offset cancel function

In AC withstanding voltage tests that require high sensitivity and high voltages, currents flowing into the stray capacity of the test lead wire, jigs, and other components can cause measurement errors. The TOS9200/9201 features a function to cancel these offset currents.

Voltage hold function

During measurement, this function allows you to hold the value of the voltage measured at the end of an AC or DC withstanding voltage test, as long as the test results are being displayed. When combined with the rise-time control function, this function enables to observe the insulation breakdown voltage.

Maximum Leakage current and minimum resistance hold function

By selecting "MIN/MAX Mode" in the measurement mode settings, you can hold the maximum current in withstanding voltage testing and the minimum resistance after the judgment wait time in insulation resistance testing. These values are shown on the tester's display. They can also be read back via interface (GPIB or RS-232C).

Output voltage monitoring function

When the output voltage deviates from $\pm(10\%$ of setting + 50 V), the monitoring function activates to suspend the test, thus ensuring highly reliable testing.

Current detection response speed adjustment function

This function switches current detection response speeds for UPPER judgment by adjusting the integrated time constant of the current detection circuit. Three modes are available for the integrated time constant: SLOW (about 40 ms), MID (about 4 ms) and FAST (about 0.4 ms). SLOW mode is used in normal operations. MID and FAST modes are more effective in detecting a discharge occurring instantaneously or containing a large number of frequency components. They are also useful for withstanding voltage tests of test devices that insulation likely be breakdown, such as small electronic components.

Memory function

Up to 100 test conditions used in AC and DC withstanding voltage testing and insulation resistance testing, such as the test voltage, judgment value and test time, can be stored with a specific name. For instance, you can store the name of an applied safety standard and the destination of the product to be tested. If test conditions are preset, operator can recall relevant test conditions simply by entering the memory number. If you previously assigned a special name to each of these test conditions, operator can check recalled test conditions by name. The memory function allows you to recall test conditions not only through the recall operation on the front panel, but also by remote control.

[Storable test conditions]

	AC withstanding voltage testing	DC withstanding voltage testing	Insulation resistance testing
Test voltage	✓	✓	✓
Test frequency	✓		
Lower cutoff value	✓	✓	✓
ON/OFF of the lower judgment function	✓	✓	✓
Upper cutoff value	✓	✓	✓
ON/OFF of the upper judgment function			✓
ON/OFF of the offset function	✓		
Test time and ON/OFF of the timer function	✓	✓	✓
Start voltage	✓	✓	
Voltage rise time	✓	✓	✓
Voltage fall time	✓		
Judgment wait time		✓	✓
Test voltage range	✓		
SLOW/MID/FAST settings for the response filter	✓		
FLOAT/GND of the LOW terminal	✓	✓	✓
HIGH/LOW/OPEN settings for the scanner channel	✓	✓	✓
ON/OFF of the contact check function	✓	✓	✓

Program function

By coordinating test conditions stored in an AC withstanding voltage test, DC withstanding voltage test, and insulation resistance test, operator can sequentially run tests that comprise up to 100 steps. When used together with the earth continuity tester TOS6200, the TOS9200 Series permits continuous tests combining test conditions stored in the TOS6200, as well as on the TOS9200 itself. Sequential tests are possible, for example, on AC withstanding voltage, insulation resistance, DC withstanding voltage, and earth continuity, in order. The TOS9200 Series stores up to 500 steps and 100 programs, which can be recalled through the recall operation on the front panel or by remote control.

[Sample program]

Step 00		Step 01		Step 02		END
Memory	Interval	Memory	Interval	Memory	Interval	
ACW01	0.2s	DCW01	0.2s	IR01	0.2s	

At Step 00, Step 01 and Step 02, memory ACW01 (AC withstanding voltage test), DCW (DC withstanding voltage test: TOS9201 only) and IR01 (insulation resistance test) are performed, receptively, in succession at 0.2-second intervals.

TOS9200 SERIES

Withstanding Voltage and Insulation Resistance Tester

Interfaces

REMOTE connector & SIGNAL I/O connector

The REMOTE connector on the front panel is intended exclusively for Kikusui's options (remote control/test probe). It allows start and stop operations by remote control. The SIGNAL I/O connector on the rear panel permits operator to recall panel memory and program memory contents by remote control, as well as controlling start and stop operations. Seven different signals are output from the SIGNAL I/O connector through the open collector.



[SIGNAL I/O]

No.	Signal name	I/O	Details of signal
1	PM0	I	LSB, LSD *1
2	PM1	I	LSD *1
3	PM2	I	LSD *1
4	PM3	I	LSD *1
5	PM4	I	MSD *1
6	PM5	I	MSD *1
7	PM6	I	MSD *1
8	PM7	I	MSB, MSD *1
9	STB	I	Input terminal for the strobe signal of the panel memory and program memory
10	MODE0	I	Selects a test mode *2
11	MODE1	I	Selects a test mode *2
12	NC		
13	COM		Circuit common (chassis potential)
14	H.V ON	O	ON during a test and an automatic test (AUTO) or while a voltage remains between the output terminals
15	TEST	O	ON during a test (except for voltage rise and voltage fall)
16	PASS	O	ON during the time preset in the PASS HOLD settings when a PASS judgement is made
17	U FAUL	O	Continuously ON in an UPPER FAIL judgement. Continuously ON in a CONTACT FAIL judgement with the scanner connected.
18	L FAUL	O	Continuously ON in an LOWER FAIL judgement. Continuously ON in a CONTACT FAIL judgement with the scanner connected.
19	READY	O	ON during the READY status
20	PROTECTION	O	ON when the PROTECTION function is activated
21	START	I	Input terminal for the START signal
22	STOP	I	Input terminal for the STOP signal
23	ENABLE	I	Input terminal for the ENABLE signal for the START signal
24	+24V		Output terminal for +24 V internal power, with a maximum output current of 100 mA
25	COM		Circuit common (chassis potential)

[Pin Configuration for the SIGNAL I/O Connector]

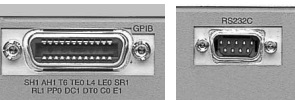


- Input signal [Low active control input High-level input voltage: 11 V to 15 V / Low-level input voltage: 0 V to 4 V / Low-level input current: Maximum -5 mA / Input interval: Minimum 5 ms]
- Output signal [Open collector output Output withstanding voltage: DC 30 V / Output saturation voltage : Approximately 1.1 V (25 °C) /Maximum output current : 400 mA (TOTAL)]
- * The input signal circuit is pulled up to +12V. Therefore, opening the input terminal is equivalent to inputting a high-level signal.
- *1 2-digit BCD low active input Signal input terminal for selection between the panel memory for ACW, DCW, and IR, and the program memory for AUTO Memory recall by latching this selection signal at the rise of the strobe signal
- *2 2-bit low active input

Test mode	ACW	DCW	IR	AUTO
MODE0	H	L	H	L
MODE1	H	H	L	L

GPIB/RS-232C interface

A GPIB/RS-232C interface is provided as a standard feature to facilitate the remote control of all functions of the TOS9200/9201 except the POWER switch, the KEYLOCK function, and the program execution (AUTO) function.



RS-232C [Baud rate: 9600/19200/38400 bps/TOS6200 interface (AUTO mode only): START/STOP control, test condition settings, reading of TOS6200 measured values, and measurement results]

GPIB [Remote control of all functions except the POWER switch, the KEYLOCK function, and the program execution (AUTO) function]/SH1, AH1, T6, TE0, L4, LE0, SR1, RL1, PPO, DC1, DT0, C0, E1]

Peripheral devices

High-voltage scanner TOS9220/TOS9221

TOS9221 Front View (same for TOS9220)



TOS9221 TOS9220



The high-voltage scanner TOS9220/TOS9221 has a function that distributes the test voltage provided by the TOS9200/9201 to multiple test points. Up to four channels can be used for outputs on this scanner. Each channel can be set to one of the three electric potential modes – HIGH, LOW, or OPEN. Operator can conduct AC/DC withstanding voltage and insulation resistance tests on any of the four test points. Furthermore, up to four scanners can be connected to the tester, allowing a maximum of 16 channels. The TOS9200 is equipped with a “contact check function” to check the contact between the output of each channel and a test point. These features ensure highly reliable and labor-saving withstanding voltage and insulation resistance tests for electrical and electronic equipment with multiple test points.

TOS9221 Rear View

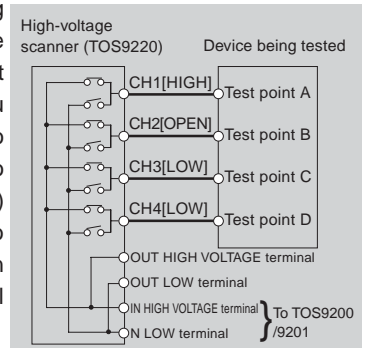


TOS9220 Rear View



Operation of the high-voltage scanner

On the TOS9200/TOS9201, you can select an electric potential mode for each channel – HIGH (high voltage side), LOW (low voltage side), and OPEN (open mode). The high-voltage scanner permits AC/DC withstanding voltage or insulation resistance tests on any of the four test points A to D. For instance, you can set CH1 (test point A) to HIGH, CH2 (test point B) to OPEN, and CH3 (test point C) to LOW. To specify these settings, you can use the TOS9200/9201 panel or the GPIB/RS-232C.

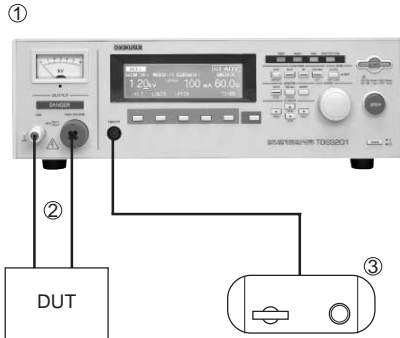


TOS9200 SERIES

Withstanding Voltage and Insulation Resistance Tester

For Stand alone use

Example of system for applying voltage by Test Lead or start/stop operation by Remote Control Box.

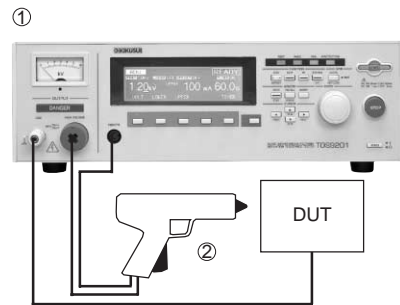


Item	Model	cable length	Required numbers
① Withstanding Voltage / Insulation Resistance Tester AC/DC	TOS9201		1 pc.
② High-Voltage Test Lead	TL01-TOS	1.5m *1	1 set
③ Remote Control Box	RC01-TOS *2	1.5m	1 pc.

*1: Also available for 3m cable, TL02-TOS

*2: Also available for both-hands operation, RC02-TOS

Example of system for applying voltage or start/stop operation by High-Voltage Test Probe.

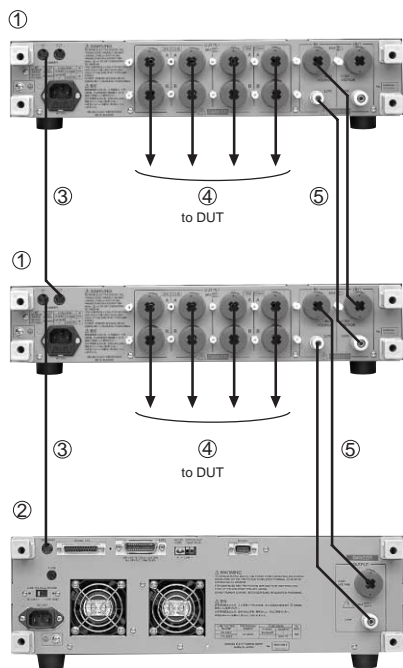


Item	Model	cable length	Required numbers
① Withstanding Voltage / Insulation Resistance Tester AC/DC	TOS9201		1 pc.
② High-Voltage Test Lead	HP01A-TOS	1.5m *1	1 pc.

*1: Also available for 3m cable, HP02A-TOS

For Multiple Channel Testing by High Voltage Scanner

Example of system consisting TOS9201 and TOS9221 X 2sets (8CH)



Item	Model	cable length	Required numbers
① High-Voltage Scanner	TOS9221		2 pc.
② Withstanding Voltage / Insulation Resistance Tester AC/DC	TOS9201		1 pc.
③ Interface cable	85-50-0210	0.5m *1	2 pc.
④ High-Voltage Test Lead (red)	TL07-TOS	1.5m	8 pc.
⑤ High-Voltage Leads for Parallel connection	TL06-TOS	0.5m *2	2 set

*1: Also available for 2m cable, DD2M-8P

*2: Also available for 1.5m cable, TL04-TOS

[Rack mount bracket]

TOS9200 / 9201	(JIS)	KRB150-TOS
	(EIA)	KRB3-TOS
TOS9220 / 9221	(JIS)	KRB100-TOS
	(EIA)	KRB2-TOS

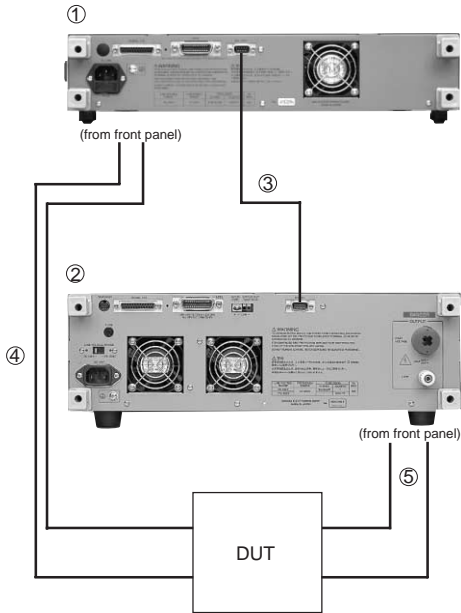
[CAUTION] In case of using more than 2sets of High Voltage Scanner, it is required to rack mount or locate these unit to the side of Withstanding / Insulation Resistance Tester, And it should not be piled up more than 2sets of High Voltage Scanner units.

TOS9200 SERIES

Withstanding Voltage and Insulation Resistance Tester

Single process to apply until earth continuity test...

Example of system consisting TOS9201 and TOS6210



Item	Model	cable length	Required numbers
① Earth Continuity Tester	TOS6210		1 pc.
② Withstanding Voltage / Insulation Resistance Tester AC/DC	TOS9201		1 pc.
③ RS-232C Cross Cable			1 pc.
④ Low-Voltage Test Lead	TL11-TOS	1.5m	1 set
⑤ High-Voltage Test Lead	TL01-TOS	1.5m *1	1 set

*1: Also available for 3m cable, TL02-TOS

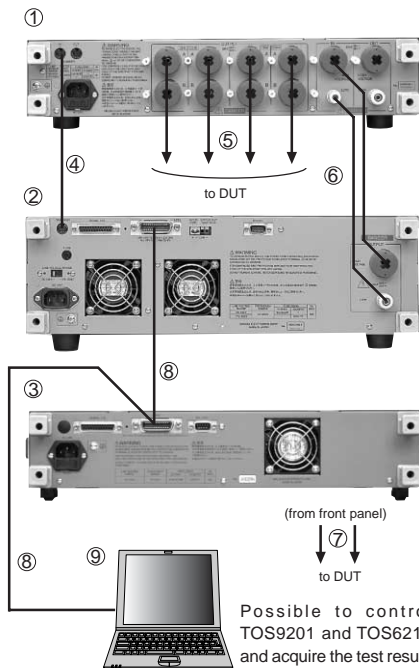
[Rack mount bracket]

TOS9200 / 9201	(JIS)	KRB150-TOS
	(EIA)	KRB3-TOS
TOS6210 / 6200	(JIS)	KRB100-TOS
	(EIA)	KRB2-TOS

It is capable to perform for withstanding voltage / Insulation Resistance and Earth continuity testing in one single process by controlling TOS6210 from TOS9201.

Fully Automated System by PC...

Example of system consisting TOS9201, TOS9221 (4CH) and TOS6210



Item	Model	cable length	Required numbers
① High-Voltage Scanner	TOS9221		1 pc.
② Withstanding Voltage / Insulation Resistance Tester AC/DC	TOS9201		1 pc.
③ Earth Continuity Tester	TOS6210		1 pc.
④ Interface cable	85-50-0210	0.5m *1	1 pc.
⑤ High-Voltage Test Lead (red)	TL07-TOS	1.5m	4 pc.
⑥ High-Voltage Leads for Parallel connection	TL06-TOS	0.5m *2	1 set
⑦ Low-Voltage Test Lead	TL11-TOS	1.5m	1 set
⑧ GPIB Cable	408J-102	2m *3	2 pc.
⑨ PC (with GPIB Interface cable)			1 pc.

*1: Also available for 2m cable, DD2M-8P

*2: Also available for 1.5m cable, TL04-TOS

*3: Also available for 1m cable, 408J-101 and 4m cable, 408J-104

[Rack mount bracket]

TOS9200 / 9201	(JIS)	KRB150-TOS
	(EIA)	KRB3-TOS
TOS9220 / 9221 / 6210 / 6200	(JIS)	KRB100-TOS
	(EIA)	KRB2-TOS

[CAUTION] In casa of use for combining more than 2sets of High Voltage Scanner unit and Earth Continuity Tester, it is required to rack mount or locate these unit to the side of Withstanding / Insulation Resistance Tester, And it should not be piled up more than 2sets of High Voltage Scanner units.

Possible to control TOS9201 and TOS6210 and acquire the test result.

TOS9200 SERIES

Withstanding Voltage and Insulation Resistance Tester

Withstanding Voltage test mode

Item	TOS9200		TOS9201	
Output section				
AC	Output-voltage range		0.05 kV to 5.00 kV	
	Resolution		10 V	
	Accuracy		±(1.5% of setting + 20 V) [with no load]	
	Maximum rated load (*1)		500 VA (5 kV/100 mA)	
	Maximum rated current		100 mA [output voltage of 0.2 kV or more]	
	Transformer capacity		500 VA	
	Output-voltage waveform(*2)		Sine wave	
	Distortion		2% or less [with no load or pure resistive load at output voltage of 0.5 kV or more applied]	
	Frequency		50 Hz/60 Hz	
	Accuracy		±0.1%	
	Voltage regulation		±3% or less [maximum rated load → no load]	
	Short-circuit current		200 mA or more, 350 mA or less [at output voltage of 0.5 kV or more]	
Type of output		PWM switching		
DC	Output-voltage range		—————	0.05 kV to 6.00 kV DC
	Resolution		—————	10 V
	Accuracy		—————	±(1.5% of the setting + 20 V)
	Maximum rated load (*1)		—————	50 W (5 kV/10 mA)
	Maximum rated current		—————	10 mA
	Ripple	No load at 5 kV	—————	50 Vp-p Typ.
		Maximum rated load	—————	150 Vp-p Typ.
	Voltage regulation		—————	1% or less [maximum rated load → no load]
	Short-circuit current		—————	40 mA Typ.
	Discharge function		—————	Forced discharge at the end of test(discharge resistance: 125 kΩ)
Start voltage		The voltage at the start of the test can be set as the start voltage.		
Setting range		0% to 99% of the test voltage (resolution of 1%)		
Output-voltage monitoring function		If the output voltage exceeds ±(10% of the setting + 50 V), output is cut off and the protection function activates.		
Voltmeter				
Analog	Scale		6 kV AC/DC F.S	
	Accuracy		±5% F.S	
	Indicator		Mean-value responsive/root-mean-square value scale	
Digital	Measurement range		0.0 kV to 6.00 kV AC/DC	
	Resolution		10 V	
	Accuracy		±(1.0% of the reading + 30 V)	
	Response		Mean-value responsive/root-mean-square value display (response time of 200 ms)	
	HOLD function		The voltage measured at the end of test is held during the PASS and FAIL judgment time period.	

*1 Time limitation on output

The tester's withstanding voltage generator is designed to radiate half as much heat as the rated output, in consideration of the size, weight, cost, and other factors of the tester. It is therefore necessary to use the tester within the ranges specified below. Operations deviating from these ranges may heat the output section excessively, thereby activating the protective circuit. In such a case, suspend the test and wait until the temperature falls to the normal level.

[Output limitation in withstanding voltage testing]

Ambient temperature	Upper current	Pause Time	Output time
t ≤ 40 °C	AC	50 < i ≤ 110 mA	At least as long as the output time
		i ≤ 50 mA	Not necessary
	DC	5 < i ≤ 11 mA	At least as long as the output time
		i ≤ 5 mA	At least as long as the judgement wait time (WAIT TIME)

(Output time = voltage rise time + test time + voltage fall time)

*2 Test-voltage waveform

When an AC test voltage is applied to a capacitive load, it is possible that the voltage becomes higher even than that when in the no load state. Furthermore, waveform distortion also may occur if the capacitance of the load is voltage-dependent (such as of ceramics capacitors). When the test voltage is not higher than 1.5 kV and the capacitance is not larger than 1000 pF, such test voltage changes are only of negligible levels. As the output type of the high-voltage generator block of the tester is PWM switching, switching noise and spike noise that the test voltage includes increase when the test voltage is 500 V or less. The lower the test voltage is, the more the waveform distortion increases.

Item	TOS9200		TOS9201	
Ammeter (*3)				
Measurement range	0.00 mA to 110 mA AC		0.00 mA to 110 mA AC/0.00 mA to 11 mA DC	
Display	i = measured current			
	i < 1 mA	1 mA ≤ i < 10 mA	10 mA ≤ i < 100 mA	100 mA ≤ i
	□ □ □ μA	□ □ □ mA	□ □ □ mA	□ □ □ mA
Accuracy	±(3% of the reading + 20 μA) [after the offset cancel function is activated, if the scanner is mounted]			
Response	Mean-value responsive / root-mean-square value display (response time of 200 ms)			
Hold function	The measured current at the end of the test is held during the PASS judgment time period.			
Offset cancel function	The current flowing to the insulation resistor between the output cables and the stray capacity is cancelled up to 100 μA/kV (in AC withstanding voltage testing only).			
Calibration	Performs calibration using the root-mean-square value of a sine wave with a pure resistive load			

TOS9200 SERIES

Withstanding Voltage and Insulation Resistance Tester

Item	TOS9200	TOS9201																				
Selection of GND/FLOAT for the LOW terminal (*4)	Selection permitted for current measurement between the mode for the LOW terminal grounded to the chassis, and the floating mode																					
	GND	Connects the LOW terminal to the chassis (ground). Measures the current flowing to the LOW terminal (chassis) (for normal operation).																				
	FLOAT	Sets the LOW terminal to the floating mode. Measures the current flowing to the LOW terminal, but does not measure the current flowing to the chassis (for high-sensitivity, high-accuracy measurements).																				
Judgement function																						
Judgement method/action	<table border="1"> <thead> <tr> <th>Judgement</th> <th>Judgement method</th> <th>Display</th> <th>Buzzer</th> <th>SIGNAL I/O</th> </tr> </thead> <tbody> <tr> <td>UPPER FAIL</td> <td>When the tester detects a current exceeding the upper current, it cuts off the output and makes an UPPER FAIL judgement. In DC withstanding voltage testing, however, no judgement is made until the judgement wait time (WIT TIME) has elapsed.</td> <td>The FAIL LED lights up. Displayed on the LCD</td> <td>ON</td> <td>Outputs the U FAIL signal</td> </tr> <tr> <td>LOWER FAIL</td> <td>When the tester detects a current below the lower current, it cuts off the output and makes a LOWER FAIL judgement. However, no judgement is made during the voltage rise time (RISE TIME) or voltage fall time (FALL TIME) in AC withstanding voltage testing.</td> <td>The FAIL LED lights up. Displayed on the LCD</td> <td>ON</td> <td>Outputs the L FAIL signal</td> </tr> <tr> <td>PASS</td> <td>When the preset time has elapsed without any abnormalities, the tester cuts off the output and makes a PASS judgement.</td> <td>The PASS LED lights up. Displayed on the LCD</td> <td>ON</td> <td>Outputs the PASS signal</td> </tr> </tbody> </table> <ul style="list-style-type: none"> The PASS signal is output at the timing preset on PASS HOLD. If HOLD is set, the PASS signal is output continuously until the STOP signal is input. The UPPER FAIL signal and the LOWER FAIL signal are output continuously until the STOP signal is input. The FAIL and PASS buzzer volumes are adjustable. However, they cannot be adjusted individually, as they are set in common. 		Judgement	Judgement method	Display	Buzzer	SIGNAL I/O	UPPER FAIL	When the tester detects a current exceeding the upper current, it cuts off the output and makes an UPPER FAIL judgement. In DC withstanding voltage testing, however, no judgement is made until the judgement wait time (WIT TIME) has elapsed.	The FAIL LED lights up. Displayed on the LCD	ON	Outputs the U FAIL signal	LOWER FAIL	When the tester detects a current below the lower current, it cuts off the output and makes a LOWER FAIL judgement. However, no judgement is made during the voltage rise time (RISE TIME) or voltage fall time (FALL TIME) in AC withstanding voltage testing.	The FAIL LED lights up. Displayed on the LCD	ON	Outputs the L FAIL signal	PASS	When the preset time has elapsed without any abnormalities, the tester cuts off the output and makes a PASS judgement.	The PASS LED lights up. Displayed on the LCD	ON	Outputs the PASS signal
Judgement	Judgement method	Display	Buzzer	SIGNAL I/O																		
UPPER FAIL	When the tester detects a current exceeding the upper current, it cuts off the output and makes an UPPER FAIL judgement. In DC withstanding voltage testing, however, no judgement is made until the judgement wait time (WIT TIME) has elapsed.	The FAIL LED lights up. Displayed on the LCD	ON	Outputs the U FAIL signal																		
LOWER FAIL	When the tester detects a current below the lower current, it cuts off the output and makes a LOWER FAIL judgement. However, no judgement is made during the voltage rise time (RISE TIME) or voltage fall time (FALL TIME) in AC withstanding voltage testing.	The FAIL LED lights up. Displayed on the LCD	ON	Outputs the L FAIL signal																		
PASS	When the preset time has elapsed without any abnormalities, the tester cuts off the output and makes a PASS judgement.	The PASS LED lights up. Displayed on the LCD	ON	Outputs the PASS signal																		
Setting range for the upper current (UPPER)	0.01 mA to 110 mA AC	0.01 mA to 110 mA AC / 0.01 mA to 11 mA DC																				
Setting range for the lower current (LOWER)	0.01 mA to 110 mA AC (With the LOWER OFF function)	0.01 mA to 110 mA AC / 0.01 mA to 11 mA DC (With the LOWER OFF function)																				
Judgement accuracy (*3)	$\pm(3\% \text{ of setting} + 20 \mu\text{A})$ [After the offset cancel function is activated, if the scanner is mounted]																					
Current detection method	The absolute current values are integrated and compared with the reference value.																					
Response-speed switching function	The current-detection response speed for UPPER FAIL judgement can be set to FAST/MID/SLOW (for AC withstanding voltage testing only).																					
Time																						
Setting range for the voltage rise time (RISE TIME)	0.1 s to 200 s																					
Setting range for the voltage fall time (FALL TIME)	0 s to 200 s (Valid only with PASS judgement)	0 s to 200 s (Valid only with PASS judgement in AC withstanding voltage testing)																				
Setting range for the test time (TEST TIME)	0.3 s to 999 s With the TIMER OFF function																					
Setting range for the judgement wait time (WAIT TIME)	_____	0.3 s to 10 s (Only for DC withstanding voltage testing) [RISE TIME + TEST TIME > WAIT TIME]																				
Accuracy	$\pm(100 \text{ ppm} + 20 \text{ ms})$																					

*3
In AC withstanding voltage testing, a current flows into the stray capacity of measurement leadwire and fixtures. When the optional high-voltage scanner TOS9220/9221 is used, a current of approximately 22 $\mu\text{A}/\text{kV}$ flows into the stray capacity of each scanner. The table below shows the approximate currents flowing into such stray capacity.

When the LOW terminal is set to GND, a current flowing into the stray capacity is added for measurement purposes to the current flowing into the DUT. In particular, for high-sensitivity, high-accuracy judgement, it is necessary to add the current flowing into the stray capacity to the lower/upper current.

When the LOW terminal is set to FLOAT, the effect of the current flowing into the stray capacity is negligible. If the offset cancel function is used, the current flowing into the stray capacity can be eliminated from the measurement.

Output voltage	1 kV	2 kV	3 kV	4 kV	5 kV
Hanging a 350-mm test lead wire (Typ. value)	2 μA	4 μA	6 μA	8 μA	10 μA
Using the accessory leadwire TL01-TOS (Typ. value)	16 μA	32 μA	48 μA	64 μA	80 μA
High-voltage scanner (Typ. value, not including the test leadwire)	22 μA	44 μA	66 μA	88 μA	110 μA

*4
With the LOW terminal set to FLOAT, current measurement is disabled when the part of the DUT connected to the LOW terminal is grounded, which is extremely danger. Do not ground the DUT. In ordinary operation, set the LOW terminal to GND.

Insulation Resistance Testing Mode

Item	TOS9200	TOS9201
Output section		
Output-voltage range	-25 V to -1000 V	
	Resolution	1 V
	Setting accuracy	$\pm(1.5\% \text{ of Setting} + 2 \text{ V})$
Maximum rated load	1 W (-1000 V DC/1 mA)	
Maximum rated current	1 mA	
Ripple	1 kV no-load	2 V _{p-p} or less
	Maximum rated load	10 V _{p-p} or less
Voltage regulation	1% or less [Maximum rated load → no load]	
Short-circuit current	12 mA or less	
Discharge function	Forced discharge at the end of test (discharge resistance : 25 k Ω)	
Output-voltage monitoring function	If the output voltage exceeds $\pm(10\% \text{ of the setting} + 50 \text{ V})$, output is cut off and the protection function activates.	

TOS9200 SERIES

Withstanding Voltage and Insulation Resistance Tester

Item		TOS9200	TOS9201																																																		
Voltmeter																																																					
Analog	Scale	6 kV AC/DC F.S																																																			
	Accuracy	±5% F.S																																																			
	Indicator	Mean-value responsive / root-mean-square value scale																																																			
Digital	Measurement range	0 V to -1200 V																																																			
	Resolution	1 V																																																			
	Accuracy	±(1 % of reading + 1 V)																																																			
Resistance meter																																																					
Measurement range		0.01 MΩ - 9.99 GΩ (Within the maximum rated current range of 1 mA to 50 nA)																																																			
Display		<table border="1"> <tr> <td>R < 10.0 MΩ</td> <td>10.0MΩ ≤ R < 100.0MΩ</td> <td>100.0MΩ ≤ R < 1.00GΩ</td> <td>1.00GΩ ≤ R ≤ 9.99GΩ</td> <td rowspan="2">R = measured insulation resistance</td> </tr> <tr> <td>□.□ □ MΩ</td> <td>□ □.□ MΩ</td> <td>□ □ □ MΩ</td> <td>□.□ □ GΩ</td> </tr> </table>				R < 10.0 MΩ	10.0MΩ ≤ R < 100.0MΩ	100.0MΩ ≤ R < 1.00GΩ	1.00GΩ ≤ R ≤ 9.99GΩ	R = measured insulation resistance	□.□ □ MΩ	□ □.□ MΩ	□ □ □ MΩ	□.□ □ GΩ																																							
R < 10.0 MΩ	10.0MΩ ≤ R < 100.0MΩ	100.0MΩ ≤ R < 1.00GΩ	1.00GΩ ≤ R ≤ 9.99GΩ	R = measured insulation resistance																																																	
□.□ □ MΩ	□ □.□ MΩ	□ □ □ MΩ	□.□ □ GΩ																																																		
Accuracy		<table border="1"> <tr> <td>50 nA ≤ i ≤ 100 nA</td> <td>100 nA < i ≤ 200 nA</td> <td>200 nA < i ≤ 1 μA</td> <td>1 μA < i ≤ 1 mA</td> <td rowspan="2">i = measured current</td> </tr> <tr> <td>± (20 % of reading)</td> <td>± (10 % of reading)</td> <td>± (5 % of reading)</td> <td>± (2 % of reading)</td> </tr> </table> <p>[In the humidity range of 20 %rh to 70 %rh (no condensation), with no disturbance such as swinging of the test leadwire]</p>				50 nA ≤ i ≤ 100 nA	100 nA < i ≤ 200 nA	200 nA < i ≤ 1 μA	1 μA < i ≤ 1 mA	i = measured current	± (20 % of reading)	± (10 % of reading)	± (5 % of reading)	± (2 % of reading)																																							
50 nA ≤ i ≤ 100 nA	100 nA < i ≤ 200 nA	200 nA < i ≤ 1 μA	1 μA < i ≤ 1 mA	i = measured current																																																	
± (20 % of reading)	± (10 % of reading)	± (5 % of reading)	± (2 % of reading)																																																		
Hold function		The measured current at the end of the test is held during the PASS period.																																																			
Selection of GND/FLOAT for the LOW terminal (*4)		Selection permitted for current measurement between the mode for the LOW terminal grounded to the chassis, and the floating mode																																																			
GND		Connects the LOW terminal to the chassis (ground). Measures the current flowing to the LOW terminal (chassis) (for normal operation).																																																			
FLOAT		Sets the LOW terminal to the floating mode. Measures the current flowing to the LOW terminal, but does not measure the current flowing to the chassis (for high-sensitivity, high-accuracy measurement).																																																			
Judgement function																																																					
Judgement method/action		<table border="1"> <thead> <tr> <th>Judgement</th> <th>Judgement method</th> <th>Display</th> <th>Buzzer</th> <th>SIGNAL I/O</th> </tr> </thead> <tbody> <tr> <td>UPPER FAIL</td> <td>When the tester detects a resistance exceeding the upper cutoff resistance, it cuts off the output and makes an UPPER FAIL judgement. However, no judgement is made during a voltage rise time (RISE TIME).</td> <td>The FAIL LED lights up. Displayed on the LCD</td> <td>ON</td> <td>Outputs the U FAIL signal</td> </tr> <tr> <td>LOWER FAIL</td> <td>When the tester detects a resistance below the lower cutoff resistance, it cuts off the output and makes a LOWER FAIL judgement. However, no judgement is made until the judgement wait time (WAIT TIME) has elapsed.</td> <td>The FAIL LED lights up. Displayed on the LCD</td> <td>ON</td> <td>Outputs the L FAIL signal</td> </tr> <tr> <td>PASS</td> <td>When the preset time has elapsed without any abnormalities, the tester cuts off the output and makes a PASS judgement.</td> <td>The PASS LED lights up. Displayed on the LCD</td> <td>ON</td> <td>Outputs the PASS signal</td> </tr> </tbody> </table> <ul style="list-style-type: none"> The PASS signal is output at the timing preset on PASS HOLD. If HOLD is set, the PASS signal is output continuously until the STOP signal is input. The UPPER FAIL signal and the LOWER FAIL signal are output continuously until the STOP signal is input. The FAIL and PASS buzzer volumes are adjustable. However, they cannot be adjusted individually, as they are set in common. 				Judgement	Judgement method	Display	Buzzer	SIGNAL I/O	UPPER FAIL	When the tester detects a resistance exceeding the upper cutoff resistance, it cuts off the output and makes an UPPER FAIL judgement. However, no judgement is made during a voltage rise time (RISE TIME).	The FAIL LED lights up. Displayed on the LCD	ON	Outputs the U FAIL signal	LOWER FAIL	When the tester detects a resistance below the lower cutoff resistance, it cuts off the output and makes a LOWER FAIL judgement. However, no judgement is made until the judgement wait time (WAIT TIME) has elapsed.	The FAIL LED lights up. Displayed on the LCD	ON	Outputs the L FAIL signal	PASS	When the preset time has elapsed without any abnormalities, the tester cuts off the output and makes a PASS judgement.	The PASS LED lights up. Displayed on the LCD	ON	Outputs the PASS signal																												
Judgement	Judgement method	Display	Buzzer	SIGNAL I/O																																																	
UPPER FAIL	When the tester detects a resistance exceeding the upper cutoff resistance, it cuts off the output and makes an UPPER FAIL judgement. However, no judgement is made during a voltage rise time (RISE TIME).	The FAIL LED lights up. Displayed on the LCD	ON	Outputs the U FAIL signal																																																	
LOWER FAIL	When the tester detects a resistance below the lower cutoff resistance, it cuts off the output and makes a LOWER FAIL judgement. However, no judgement is made until the judgement wait time (WAIT TIME) has elapsed.	The FAIL LED lights up. Displayed on the LCD	ON	Outputs the L FAIL signal																																																	
PASS	When the preset time has elapsed without any abnormalities, the tester cuts off the output and makes a PASS judgement.	The PASS LED lights up. Displayed on the LCD	ON	Outputs the PASS signal																																																	
Setting range for the upper resistance (UPPER)		0.01 MΩ to 9.99 GΩ [Below the maximum rated current]																																																			
Setting range for the lower resistance (LOWER)		0.01 MΩ to 9.99 GΩ [Below the maximum rated current]																																																			
Judgement accuracy																																																					
For both UPPER and LOWER		<table border="1"> <thead> <tr> <th>Judgement current</th> <th>50 nA ≤ i ≤ 100 nA</th> <th>100 nA < i ≤ 200 nA</th> <th>200nA < i ≤ 1 μA</th> <th>1 μA < i ≤ 1 mA</th> </tr> </thead> <tbody> <tr> <td rowspan="8">UPPER, LOWER</td> <td>0.01 ≤ R < 10.0 MΩ</td> <td>—</td> <td>—</td> <td>± (2 % of setting + 3digit)</td> </tr> <tr> <td>10.0 ≤ R < 50.0 MΩ</td> <td>—</td> <td>—</td> <td>± (5 % of setting + 5digit) ± (2 % of setting + 3digit)</td> </tr> <tr> <td>50.0 ≤ R < 100 MΩ</td> <td>—</td> <td>—</td> <td>± (5 % of setting + 5digit) ± (2 % of setting + 3digit)</td> </tr> <tr> <td>100 MΩ ≤ R < 200 MΩ</td> <td>—</td> <td>± (10 % of setting + 5digit)</td> <td>± (5 % of setting + 5digit)</td> <td>± (2 % of setting + 3digit)</td> </tr> <tr> <td>200 MΩ ≤ R < 500 MΩ</td> <td>± (20 % of setting + 5digit)</td> <td>± (10 % of setting + 5digit)</td> <td>± (5 % of setting + 5digit)</td> <td>± (2 % of setting + 3digit)</td> </tr> <tr> <td>500 MΩ ≤ R < 1.00 GΩ</td> <td>± (20 % of setting + 5digit)</td> <td>± (10 % of setting + 5digit)</td> <td>± (5 % of setting + 5digit)</td> <td>± (2 % of setting + 3digit)</td> </tr> <tr> <td>1.00 GΩ ≤ R < 2.00 GΩ</td> <td>± (20 % of setting + 10digit)</td> <td>± (10 % of setting + 5digit)</td> <td>± (5 % of setting + 5digit)</td> <td>—</td> </tr> <tr> <td>2.00 GΩ ≤ R < 5.00 GΩ</td> <td>± (20 % of setting + 20digit)</td> <td>± (10 % of setting + 10digit)</td> <td>± (5 % of setting + 5digit)</td> <td>—</td> </tr> <tr> <td>5.00 GΩ ≤ R < 10.0 GΩ</td> <td>± (20 % of setting + 20digit)</td> <td>± (10 % of setting + 10digit)</td> <td>—</td> <td>—</td> </tr> </tbody> </table> <p>Judgement current = test voltage/(UPPER,LOWER)</p> <p>[In the humidity range of 20 %rh to 70 %rh (no condensation), with no disturbance such as swinging of the test leadwire] [In LOWER judgement, at least 0.5 s is necessary for testing after the WAIT TIME has elapsed. In LOWER judgement for 200 nA or lower, a wait time of at least 1.0 s is necessary.]</p>				Judgement current	50 nA ≤ i ≤ 100 nA	100 nA < i ≤ 200 nA	200nA < i ≤ 1 μA	1 μA < i ≤ 1 mA	UPPER, LOWER	0.01 ≤ R < 10.0 MΩ	—	—	± (2 % of setting + 3digit)	10.0 ≤ R < 50.0 MΩ	—	—	± (5 % of setting + 5digit) ± (2 % of setting + 3digit)	50.0 ≤ R < 100 MΩ	—	—	± (5 % of setting + 5digit) ± (2 % of setting + 3digit)	100 MΩ ≤ R < 200 MΩ	—	± (10 % of setting + 5digit)	± (5 % of setting + 5digit)	± (2 % of setting + 3digit)	200 MΩ ≤ R < 500 MΩ	± (20 % of setting + 5digit)	± (10 % of setting + 5digit)	± (5 % of setting + 5digit)	± (2 % of setting + 3digit)	500 MΩ ≤ R < 1.00 GΩ	± (20 % of setting + 5digit)	± (10 % of setting + 5digit)	± (5 % of setting + 5digit)	± (2 % of setting + 3digit)	1.00 GΩ ≤ R < 2.00 GΩ	± (20 % of setting + 10digit)	± (10 % of setting + 5digit)	± (5 % of setting + 5digit)	—	2.00 GΩ ≤ R < 5.00 GΩ	± (20 % of setting + 20digit)	± (10 % of setting + 10digit)	± (5 % of setting + 5digit)	—	5.00 GΩ ≤ R < 10.0 GΩ	± (20 % of setting + 20digit)	± (10 % of setting + 10digit)	—	—
Judgement current	50 nA ≤ i ≤ 100 nA	100 nA < i ≤ 200 nA	200nA < i ≤ 1 μA	1 μA < i ≤ 1 mA																																																	
UPPER, LOWER	0.01 ≤ R < 10.0 MΩ	—	—	± (2 % of setting + 3digit)																																																	
	10.0 ≤ R < 50.0 MΩ	—	—	± (5 % of setting + 5digit) ± (2 % of setting + 3digit)																																																	
	50.0 ≤ R < 100 MΩ	—	—	± (5 % of setting + 5digit) ± (2 % of setting + 3digit)																																																	
	100 MΩ ≤ R < 200 MΩ	—	± (10 % of setting + 5digit)	± (5 % of setting + 5digit)	± (2 % of setting + 3digit)																																																
	200 MΩ ≤ R < 500 MΩ	± (20 % of setting + 5digit)	± (10 % of setting + 5digit)	± (5 % of setting + 5digit)	± (2 % of setting + 3digit)																																																
	500 MΩ ≤ R < 1.00 GΩ	± (20 % of setting + 5digit)	± (10 % of setting + 5digit)	± (5 % of setting + 5digit)	± (2 % of setting + 3digit)																																																
	1.00 GΩ ≤ R < 2.00 GΩ	± (20 % of setting + 10digit)	± (10 % of setting + 5digit)	± (5 % of setting + 5digit)	—																																																
	2.00 GΩ ≤ R < 5.00 GΩ	± (20 % of setting + 20digit)	± (10 % of setting + 10digit)	± (5 % of setting + 5digit)	—																																																
5.00 GΩ ≤ R < 10.0 GΩ	± (20 % of setting + 20digit)	± (10 % of setting + 10digit)	—	—																																																	
Time																																																					
Setting range for the voltage rise time (RISE TIME)		0.1 s to 200 s																																																			
Setting range for the test time (TEST TIME)		0.5 s to 999 s With the TIMER OFF function																																																			
Setting range for the judgement wait time (WAIT TIME)		0.3 s to 10 s [RISE TIME + TEST TIME > WAIT TIME]																																																			
Accuracy		± (100 ppm + 20 ms)																																																			

*4
 When the LOW terminal is set to FLOAT, current measurement is disabled if the part of the DUT connected to the LOW terminal is grounded, which is extremely danger. Do not ground the DUT. In ordinary operation, set the LOW terminal to GND.

TOS9200 SERIES

Withstanding Voltage and Insulation Resistance Tester

General Specifications

Item	TOS9200	TOS9201
Environment		
Installation location	Indoors at an altitude of up to 2000 m	
Warranty range	Temperature	5 °C to 35 °C
	Humidity	20 %rh to 80 %rh (No condensation)
Operating range	Temperature	0 °C to 40 °C
	Humidity	20 %rh to 80 %rh (No condensation)
Storage range	Temperature	-20 °C to 70 °C
	Humidity	90 %rh or less (No condensation)
Power requirements		
Nominal voltage range (Allowable voltage range)	100 V to 120 V AC / 200 V to 240 V AC (85 V to 130 V AC / 170 V to 250 V AC) Selectable	
Power consumption	Using no load (READY)	100 VA or less
	Using the rated load	Maximum of 800 VA
Allowable frequency range	47 Hz to 63 Hz	
Insulation resistance	30 MΩ or more (500 V DC) [between the AC LINE and chassis]	
Withstanding voltage	1390 V AC, 2 seconds, 20 mA or less [between the AC LINE and chassis]	
Earth continuity	25 A AC/0.1 Ω or less	
Electromagnetic compatibility (EMC) (*5)	Conforms to the requirements of the following directive and standard. EMC Directive 89/336/EEC EN61326 EN61000-3-2 EN61000-3-3 Under following conditions 1. Used test leadwire TL01-TOS which is supplied. 2. No discharge occurs at outside of the tester. 3. Used the shielded cable which length is less than three meters when the SIGNAL I/O is used.	
Safety (*5,6)	Conforms to the requirements of the following directive and standard. Low Voltage Directive 73/23/EEC EN61010-1 Class I Pollution degree 2	
Dimensions (maximum)	430 (455) W x 132 (150) H x 370 (440) D mm	
Weight	Approx. 19 kg	
Accessory		
AC Power cable	1 pc.	
High-voltage test lead wire TL01-TOS (1.5 m)	1 set	
Interlock jumper	1 pc.	
High-Voltage Danger seal	1 sheet	
Fuse	1 pc.	
Operation Manual	Operation Manual for Tester: 1 copy, Operation for GPIB/RS-232C Interface: 1 copy	

*5 Only on models that have CE marking on the panel. Not applicable to custom order models.

*6 This instrument is a Class I equipment. Be sure to ground the protective conductor terminal of the instrument. The safety of the instrument is not guaranteed unless the instrument is grounded properly.

Electrical performance

Item	TOS9220	TOS9221
Maximum rating voltage	AC	5.0 kV
	DC	6.0 kV
Number of channels	4 (Each channel is settable to HIGH, LOW, or OPEN.)	
Maximum number of scanners connected	4 scanners Channel numbers are determined in order of connection to the TOS9200/9201 tester. 1 st scanner CH1 to CH4 2 nd scanner CH5 to CH8 3 rd scanner CH9 to CH12 4 th scanner CH13 to CH16	
Contact check function	None (*1)	Provided
Lamps and LEDs	POWER	Lights as it is interlocked with the POWER switch of the TOS9200/9201 tester
	DANGER	Lights as it is interlocked with the DANGER lamp of the TOS9200/9201 tester
	CHANNEL	Lights during a test at each channel HIGH: red; LOW: green; Under contact check: orange
Power requirements		
Nominal voltage range (allowable voltage range)	100 V to 120 V AC/200 V to 240 V AC (85 V to 132 V AC/170 V to 250 V AC) Automatic switching	
Power consumption	In READY state	Approx. 12 VA
	During test	30 VA maximum
Allowable frequency range	47 Hz to 63 Hz	
Insulation resistance	30 MΩ or more (500 V DC) [between the AC LINE and chassis]	
Withstanding voltage	1390 V AC, 2 seconds, 10 mA or less [between the AC LINE and chassis]	
Earth continuity	25 A AC/0.1 Ω or less	

*1 When the contact check function is activated on the TOS9220/9201 tester, the tester conducts a contact check up to the output terminals of the TOS9220 scanner.

TOS9200 SERIES

Withstanding Voltage and Insulation Resistance Tester

Item	TOS9220	TOS9221
Electromagnetic compatibility (EMC) (*2)	Conforms to the requirements of the following directive and standard. EMC Directive 89/336/EEC EN61326 EN61000-3-2 EN61000-3-3 Under following conditions 1. Used test leadwire TL07-TOS which is supplied. 2. No discharge occurs at outside of the tester. 3. Used the shielded cable which length is less than three meters when the SIGNAL I/O is used.	
Safety (*2,3)	Conforms to the requirements of the following directive and standard. Low Voltage Directive 73/23/EEC EN61010-1 Class I Pollution degree 2	
Environment		
Installation location	Indoors and at altitudes up to 2000 m	
Warranty range	Temperature	5 °C to 35 °C
	Humidity	20 %rh to 80 %rh (no condensation)
Operating range	Temperature	0 °C to 40 °C
	Humidity	20 %rh to 80 %rh (no condensation)
Storage range	Temperature	-20 °C to 70 °C
	Humidity	90 %rh or less (no condensation)
Dimensions	430(435)W × 88(105)H × 370(415) Dmm	
Weight	Approx. 6.5 kg	
Accessories		
AC power cable	1 pc.	
High-voltage test leadwires, red	4 pc. (1.5 m each)	8 pc. (1.5 m each)
High-voltage leads for parallel connection	1 set (0.5 m each)	
Interface cable	1 pc.(0.5 m)	
Channel-indication stickers	For the panel face: 1 sheet; for the test leadwires: 1	
"HIGH VOLTAGE, DANGER" stickers	2 sheets	
Fuses	2 pc. (including a spare contained in the fuse holder)	
Operation Manual	1 copy	

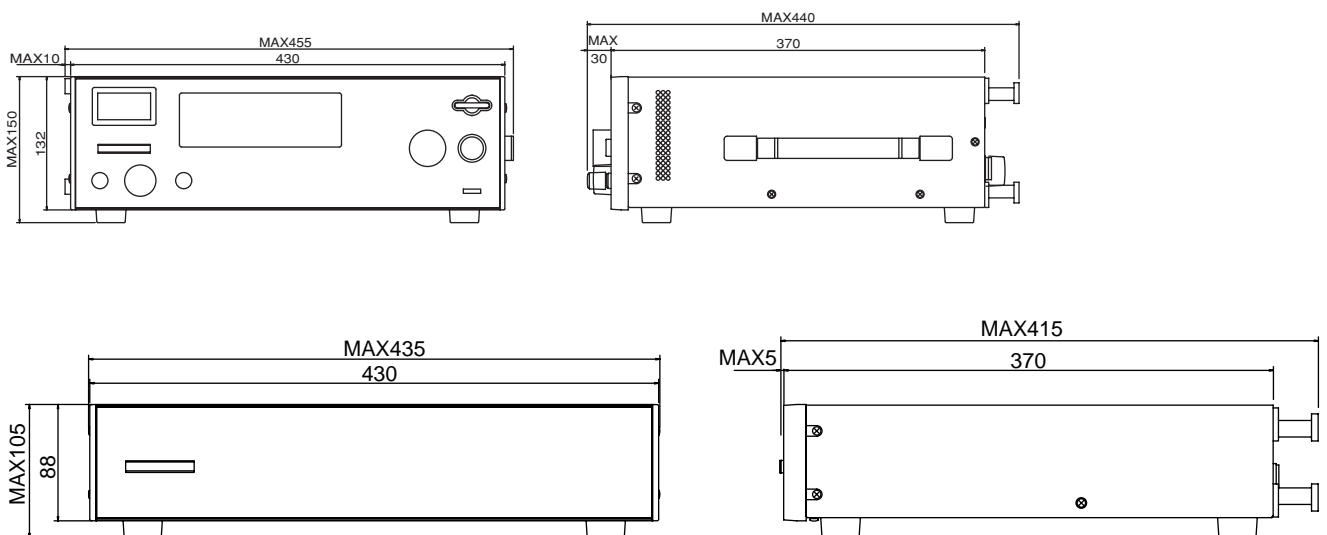
*2 Only on models that have CE marking on the panel. Not applicable to custom order models.

*3 This instrument is a Class I equipment. Be sure to ground the protective conductor terminal of the instrument. The safety of the instrument is not guaranteed unless the instrument is grounded properly.

[Measurement accuracy achieved when the scanner and the TOS9220/9201 tester are connected]

In an AC withstanding voltage test, a current of approx. 22 μA/kV flows per scanner due to stray capacitance in the scanner in comparison with use of the TOS9220/9201 tester alone. Note that this current may contribute to errors in current measurements conducted by the TOS9220/9201 tester.

External dimensional diagrams



Unit: mm

TOS8870A

Withstanding Voltage and Insulation Resistance Tester

Global Standard of the Withstanding Voltage / Insulation / Resistance Testers



TOS8870A



Applying to various safety standards

Capable to perform the continuous Withstanding Insulation Resistance Testing.

TOS8870A is a combination of a withstanding voltage tester and an insulation resistance tester, and it is capable of performing Withstanding Voltage Test and Insulation Resistance Test in one continuous process. (Choice of setting arrangement: AUTO ACW→IR, AUTO IR→ACW, MANU.ACW, MANU.IR.)

The Tester can provide a maximum output of 5kV and an output capacity of 500VA (AC), and can be used for withstanding voltage test for the electrical equipment and components in compliance with major electrical standards and ordinances. As for the insulation resistance tester, the tester has two ranges of 500V/1000MΩ and 1000V/2000MΩ.

- Capable of performing withstanding voltage test and insulation resistance test in one continuous process.
- Withstanding Voltage Tester : Maximum Output AC 5kV/100mA and Output Capacity 500VA
- Insulation resistance in 2 ranges: 500V/1000MΩ and 1000V/2000MΩ
- Output characteristics complied with JIS C 1302-1994 for Insulation/Resistance testing
- Voltmeter : JIS class 1, Accuracy : ±1.5% f.s
- GO-NOGO judgment with a window comparator type
- Remote control function
- PASS, FAIL contact signal output
- Equipped with Digital Timer : 0.2sec to 99.9sec/1sec to 999sec
- Downsized approximately 30% in volume (compared to the existing type)

TOS8870A

Withstanding Voltage and Insulation Resistance Tester

Withstanding Voltage test mode

Test Voltage	Output AC Voltage	0 V to 2.5 kV/0 V to 5 kV (two ranges)
	Output Rating	500 VA (5 kV, 100 mA with 100 V line voltage) *1
	Waveform	AC line waveform
	Voltage regulation	Better than 20% (for maximum rated load to no load, with 100 V line voltage)
	Switching	With zero-start type switch
Output Voltmeter	Scales	2.5 kV f.s / 5 kV f.s, two ranges linear scales
	Class of meter	JIS Class 1
	Accuracy	5 °C to 15°C : ±3 % f.s 15 °C to 35 °C : ±1.5 % f.s (with a sine wave) *2
	Indication	Mean-value response, effective-value scale graduation
Judgment of Test Result PASS-FAIL judgment. Output cutoff by leakage current detection	Judgment	Window comparator system
		FAIL judgment when leakage current larger than high limit reference value is detected.
		FAIL judgment also when leakage current smaller than low limit reference value is detected.
		When FAIL judgment is made, output is cutoff and FAIL alarm is generated.
	High limit reference value	If no FAIL judgment is made after preset period has elapsed, PASS signal is generated.
		0.5/1/2/4/8/10/100 mA (7 values)
	Low limit reference value	By combinations of above values, a range of 0.5 mA to 25.5 mA can be covered in 0.5 mA steps.
	Accuracy of judgment *3	0 to one-half of high limit reference values (continuously variable)
	Judging method	±5 % of high limit
	Calibration	±20 % of low limit reference value (one-half of high limit reference values at maximum counterclockwise). (Other are non-calibrated.)
No-load output voltage need for detection *4	Absolute value of leakage current is integrated and compared with preset limit reference value	
Test time	Calibrated with rms value of sine wave, using a pure resistance load.	
Others	2.5 kV range Approx. 450 V when set at 100 mA	
	5 kV range Approx. 550 V when set at 100 mA	
Test time	Timer :0.2 s to 99.9 s (× 0.1 range) ±50 ms	
	1 s to 999 s (× 1 range) ±0.5 s	
Others	Terminals for monitoring of leakage current	

*1. The heat radiation of the output section of the tester is designed to be 1/2 of the rated output, taking the size, weight, cost, etc., into consideration. Therefore, use it within the limitations shown in Table 1. If it is used in excess of these limitations, the temperature of the output section rises excessively and the internal protection circuit may be activated. In this case, cancel the test for a while and wait until the normal temperature is restored.

*2. Crest factor of 1.35 to 1.41, distortion of 3% or less

*3. The current which flows due to stray capacitances of the output circuit and leadwires causes an error. The overall accuracy of judgement is the above-mentioned accuracy of judgement plus a factor caused by this current. Typical values of this type of currents are shown in the Table 2. Note that, when a test is made with a high voltage and high sensitivity, the current which flows through the stray capacitances may become larger than the preset low limit reference value and low limit judgement may become unavailable.

*4. When making an FAIL judgement test with the output terminals shorted, a certain level of no-load output voltage is needed due to the internal resistance of the output circuit. The voltages shown here are this type of output voltages.

[Table 1.]

Ambient temperature	Test current I	Pause time	Maximum test time
t ≤ 40 °C	25.5 < I vz 100	Test time or longer	30 minutes or less
	I < 25.5	Not required	Continuous test possible

[Table 2.]

Output voltage	1 kV	2 kV	3 kV	4 kV	5 kV
Test alone (without leadwires)	4 μA	8 μA	12 μA	16 μA	20 μA
When 350mm long leadwires are hung in air	6 μA	12 μA	18 μA	24 μA	30 μA
When the accessory leadwire (TL01-TOS) are used	20 μA	40 μA	60 μA	80 μA	100 μA

Test Voltage Waveform

When an AC output voltage is applied to a capacitive load, it is possible that the voltage becomes higher than when in the no-load state due to the capacitance of the load. Moreover, when the capacitance of the load is voltage dependent (typical examples are ceramic capacitors), the voltage waveform may be distorted. When the test voltage is 1.5kV, however, effects caused by a capacitance of 1000pF or less are negligible.

Insulation resistance Tester

Measuring Voltage	500 V or 1000 V DC, negative polarity (two ranges)	
Measuring terminal voltage	0% to + 5% of rated measuring voltage (At rated measuring current or less)	
Output current	Rated measuring current	1.0 mA
	Short circuit current	12 mA or less
Effective Measuring Ranges	500 V range	1 MΩ to 1000 MΩ
	1000 V range	2 MΩ to 2000 MΩ
Values center of scale	500 V range	20 MΩ
	1000 V range	50 MΩ
Accuracy	1st effective measuring range : ±5 % of the indicated value *1	
	2nd effective measuring range : ±10 % of the indicated value *1	
Judgment of Test Result PASS-FAIL judgment	Judgment	Window comparator system (mutually independent settings of high limit and low limit)
		FAIL judgment when measured resistance is smaller than low limit reference value.
		FAIL judgment when measured resistance is larger than high limit reference value.
		When FAIL judgment is made, output is cutoff and FAIL alarm is generated.
	Limit reference value setting range	If no FAIL judgment is made after preset period has elapsed, PASS signal is generated.
Accuracy of judgment	Low and high limit reference values can be set at any points within the effective measuring range of the Tester.	
Waiting-time for judgment	1st effective measuring range : ±10 % of set value *1 2nd effective measuring range : ±15 % of set value *1	
Test time	Approx. 0.3 s	
	Timer :0.5 s to 99.9 s (× 0.1 range) ±50 ms	
	1 s to 999 s (× 1 range) ± 0.5 s	

*1. At 25 °C ± 10 °C

The 1st effective measuring range is from 1/1000 to 1/2 of the maximum effective scale value. The 2nd effective measuring range is from the above to the maximum effective scale value.

TOS8870A

Withstanding Voltage and Insulation Resistance Tester

Common Specifications

Types of test	1.AUTO ACW→IR	Withstanding voltage test first and insulation resistance test next	
	2.AUTO IR→ACW	Insulation resistance test first and withstanding voltage test next	
	3.MANUAL ACW	Withstanding voltage test alone	
	4.MANUAL IR	Insulation resistance test alone	
Remote Control	Test / Reset control	Low active control Input conditions *1 High level input voltage 11 V to 15 V Low level input voltage 0 V to 4 V Low level sweep out current 5 mA or less Input pulse width 20 ms minimum	
	Interlock	Protection is effected when INTERLOCK terminal is made open (test is disabled).	
Output signals *2	Signal Name	Conditions for Signal Generation	Type of Signals
	TEST ON signal	Delivered during entire test-on period.	Make-contact signal and lamp
	PASS signal	Delivered when PASS judgment is made, for approximately 50 ms.	Make-contact signal, lamp and buzzer
	ACW/FAIL alarm	Delivered continuously when FAIL judgment of withstanding voltage test is made.	Make-contact signal, lamp and buzzer
	IR/FAIL alarm	Delivered continuously when FAIL judgment of insulation resistance test is made.	Make-contact signal, lamp and buzzer
	READY signal	Delivered when in the READY state.	Make-contact signal
Special Test Mode <small>Selectable with DIP switches at rear of Tester</small>	1.DOUBLE ACTION	Test starts only when the START switch is pressed within approximately 0.5 s after pressing the STOP switch.	
	2.PASS HOLD	The PASS state is held.	
	3.MOMENTARY	Test is executed only during the period the START switch is kept pressed.	
	4.FAIL ALARM	FAIL alarm and PROTECTION state cannot be reset by the remote-control STOP signal.	
Ambient Temperature and Humidity	Warranty	5 °C to 35°C / 20 %rh to 80 %rh	
	Operable range	0 °C to 40 °C / 20 %rh to 80 %rh	
	Storage range	-20 °C to 70 °C / 80 %rh or less	
EMC *3	Conforms to the requirements of the following directive and standard. Under following conditions	EMC Directive 89/336/EEC, EN61326, EN61000-3-2, EN61000-3-3 1. Used HV test leadwire TL01-TOS. 2. No discharge in testing.	
Safety *3,4	Conforms to the requirements of the following directive and standard. Low Voltage Directive 73/23/EEC, EN61010-1 (Class I, Pollution degree 2)		
Power Requirements	Line voltage	100 VAC ± 10 %, 50/60 Hz *5	
	Power consumption	When no load (RESET state) : 15 VA or less *6	
		When with rated load : Approx. 600 VA	
	Insulation resistance	30 MΩ or more, 500 VDC	
Withstanding voltage	1390 VAC, 2 seconds [between the AC LINE and chassis]		
Dimensions (maximum)	430 (435) W x 132 (155) H x 370 (440) Dmm		
Weight	Approx. 23 kg		
Standard accessories	TL01-TOS High Voltage Test Leadwires, approx. 1.5 m long. 1		
	AC Power cable 1		
	Operation Manual 1		
Options	RC01-TOS Remote Control Box		
	RC02-TOS Remote Control Box		
	HP01A-TOS High Voltage Test Probe, approx. 1.5 m long		
	HP02A-TOS High Voltage Test Probe, approx. 3 m long		
	TL02-TOS High Voltage Test Readwires, approx. 3 m long		
	KRB150-TOS Rackmount Bracket (for JIS)		
KRB3-TOS Rackmount Bracket (for EIA)			

*1. The input terminal is pulled up to +15V supply voltage by resistor. Opening of the input terminal is equivalent to a high level input.

*2. The rating of the signal contacts is 125VAC, 1A, or 30VDC, 1A.

Loudness of the buzzer is adjustable with a knob in common for the PASS signal and FAIL alarm.

*3 Only on models that have CE marking on the panel. Not applicable to custom order models.

*4 This instrument is a Class I equipment. Be sure to ground the protective conductor terminal of the instrument. The safety of the instrument is not guaranteed unless the instrument is grounded properly.

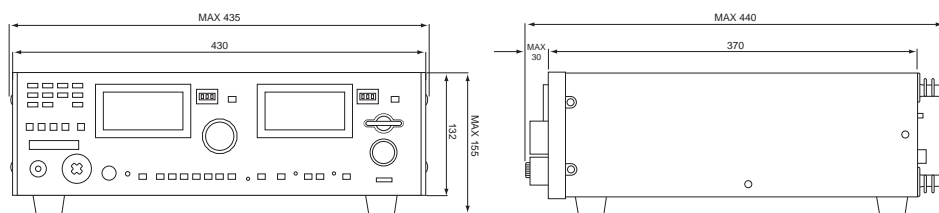
*5. Can be factory-modified to nominal 110V, 120V, 220V, 230V and 240V.

*6. Power consumption of the instrument modified to operate on an AC line voltage other than 100V is as follows.

110V / 120V: 25VA or less

220V / 230V / 240V: 45VA or less

External dimensional diagrams



Unit: mm

TOS5000 SERIES

Withstanding Voltage Tester

Basic model series with excellent cost performance.



TOS5101(AC/DC)



*This UL listed product is available for line voltage of AC 120V only.

**High-end model of TOS series having AC, DC10kV output
Conforming to demands of various component standards
testing and margin test**

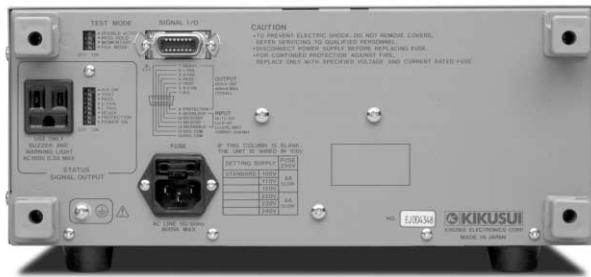
TOS series (TOS5101/5051/5050) are designed exclusively for withstand-voltage testing of electronic equipment and components conforming to various safety standards. The use of a high luminance, large fluorescent display tube for the display enables data including measured values, status and judgment results to be extremely legible. The Pass/fail function employs a window comparator method that enables TOS5101 to make fail judgment of current leakage over the upper reference value and below the lower reference value which can be set on the front panel.

Thus, highly reliable testing can be performed including that for test lead disconnection and defective contact. In addition, in order to prevent erroneous operation and accidents, the TOS5101 is also equipped with a Key Lock function and Interlock function, a high-voltage output terminal having a narrowed insertion port, a large DANGER lamp, and an automatic discharge function (during DC operation) that removes charge from the test piece. These features give the TOS5101 a high degree of safety and reliability.

- Complies with various safety standards
- AC/DC output (0 to 10 kV)
- Large color display
- Digital voltmeter and ammeter
- Digital timer
- Window comparator type employed for Pass / fail judgement.
- Equipped with remote control function
- Various signal outputs
- Automatic discharge function (during DC operation)
- Provided with zero turn-on switch
- Compact size

TOS5000 SERIES

Withstanding Voltage Tester



Available only for UL listed models

TOS5051(AC/DC)
TOS5050(AC)



*This UL listed product is available for line voltage of AC 120V only.

TOS5051 : outstanding performance on practical use, AC, DC output 5kV
TOS5050 : Top selling model for production line etc.

- Complies with various safety standards
- AC/DC output (TOS5051)
- Large color display
- Digital voltmeter and ammeter
- Digital timer
- Window comparator type employed for Pass/fail judgement.
- Equipped with remote control function
- Various signal outputs
- Automatic discharge function (TOS5051: during DC operation)
- Provided with zero turn-on switch

TOS5030(AC)



*This UL listed product is available for line voltage of AC 120V only.



Reliable function on practicability and safety equipment enable it to be used easily for inspections of devices and testing of electronic components.

The Model TOS5030 is an AC withstanding voltage tester having an AC output of 3 kV and 10 mA. Despite being an economy model, the TOS5030 is equipped with a zero turn-on switch, remote control function for start and stop operations and a FAIL signal output function.

- Compact size, light weight(approx. 4.8kg)
 - Economy model for simplified test
 - Provided with zero turn-on switch
 - Provided with remote control terminal
 - Featuring safety high voltage output terminal
- Large "DANGER" warning lamp

*TOS5030 is for simplified test and does not comply with various safety standards.

TOS5000 SERIES

Withstanding Voltage Tester

Item	TOS5101	TOS5051	TOS5050	TOS5030
Output block				
Applied Voltage	0 to 5 / 0 to 10 kV AC and DC	0 to 2.5 / 0 to 5 kV AC and DC	0 to 2.5 / 0 to 5 kV AC	0 to 3 kV AC
AC				
Maximum Rated*1	500VA / 10 kV, 50 mA	500VA / 5 kV, 100 mA		30VA / 3 kV, 10 mA
Waveform	Commercial line waveform			
Voltage Regulation	Max. 15% (for max. rated load to no load)			
Switching	Use of a zero turn-on switch			
DC				
Applied Voltage	50W / 10 kV, 5 mA	50W / 5 kV, 10 mA		
Ripple	100 Vp-p typ. at 10 kV, no load 200 Vp-p typ. at max. rated output	100 Vp-p typ. at 5 kV, no load 100 Vp-p typ. at max. rated output		
Maximum Rated*1	Max. 3% (for max. rated load to no load)			
Output Voltmeters				
Analog				
Scale	10 kV full scale, AC/DC	5 kV full scale, AC/DC	5 kV full scale, AC	3 kV full scale, AC
Type of Meter	JIS Class 2.5			
Accuracy	±5% of full scale			
AC Indication	Mean value response / rms value scale			
Digital				
Full Scale	5 kV / 10 kV full scale	2.5 kV / 5kV full scale		
Accuracy	±1.5% of full scale			
AC Response	Mean value response / rms value display			
Ammeter				
Digital				
Accuracy	±(5% + 20μA) of upper cutoff current			
AC Response	Mean value response / rms value display			
Pass/fail Judgement Function				
Type of Judgement	Window comparator type ● FAIL judgement *When current detected above upper cutoff current *When current detected below lower cutoff current (FAIL signal generated when FAIL judgement made) ● PASS judgement *When set time has elapsed and no abnormality is detected			FAIL judgement *When current detected above reference value *FAIL signal generated when FAIL judgement made
Upper cutoff current setting range	AC: 0.1 to 55 mA DC: 0.1 to 5.5 mA	AC: 0.1 to 110 mA DC: 0.1 to 11 mA	AC: 0.1 to 110 mA	AC: 0.5/1/2/5/10 mA
Lower cutoff current setting range	AC: 0.1 to 55 mA DC: 0.1 to 5.5 mA	AC: 0.1 to 110 mA DC: 0.1 to 11 mA	AC: 0.1 to 110 mA	
Judgement Accuracy	±(5% of upper cutoff current + 20μA)			±5% of preset cutoff current
Current Detection	Integration of current absolute value followed by comparison with reference value			
Calibration	With rms value of sine wave using a pure resistance load			
No-load output voltage	Approx. 970 V when set to 50 mA AC Approx. 160 V when set to 5 mA DC	Approx. 460 V when set to 100 mA AC Approx. 100 V when set to 10 mA DC		Approx. 400 V when set to 10 mA AC
Test Time Setting Range	0.5 to 999 sec (±10 ms) (timer-off function provided)			
Accuracy	±20 ms			
Line Voltage	100V±10%, 50/60 Hz (Nominal voltages of 110V, 120V, 220V, 230V and 240V available as factory options.)			
Power Requirements				
for line voltage of 100 V	Max. 50 VA under no-load conditions / Approx. 600 VA at rated load	Max. 50 VA under no-load conditions / Approx. 610 VA at rated load	Max. 25 VA under no-load conditions / Approx. 600 VA at rated load	Max. 10 VA under no-load conditions / Approx. 45 VA at rated load
for line voltage of 100 V to 200 V	Max. 50 VA under no-load conditions / Approx. 600 VA at rated load	Max. 50 VA under no-load conditions / Approx. 630 VA at rated load	Max. 25 VA under no-load conditions / Approx. 600 VA at rated load	Max. 10 VA under no-load conditions / Approx. 45 VA at rated load
for line voltage of 220 V to 240 V	Max. 50 VA under no-load conditions / Approx. 610 VA at rated load	Max. 50 VA under no-load conditions / Approx. 640 VA at rated load	Max. 25 VA under no-load conditions / Approx. 640 VA at rated load	Max. 10 VA under no-load conditions / Approx. 25 VA at rated load
Electromagnetic compatibility (EMC)	Conforms to the requirements of the following directive and standard.*2 EMC Directive 89/336/EEC EN61326 EN61000-3-2 EN61000-3-3 Under following conditions 1. Used HV test leadwires which is supplied. 2. No discharge in testing. 3. Used the shielded cable which length is less than three meters when the SIGNAL I/O is used.	Conforms to the requirements of the following directive and standard.*3 EN61326 Under following conditions 1. Used HV test leadwires which is supplied. 2. No discharge in testing. 3. Used the shielded cable which length is less than three meters when the SIGNAL I/O is used.		Conforms to the requirements of the following directive and standard.*2 EMC Directive 89/336/EEC EN61326 EN61000-3-2 EN61000-3-3 Under following conditions 1. Used HV test leadwires TL01-TOS. 2. No discharge in testing.

*1: Continuous output time may be limited depending on current high limit reference value and ambient temperature.

*2: Only on models that have CE marking on the panel. Not applicable to custom order models.

*3: Not applicable to custom order models.

TOS5000 SERIES

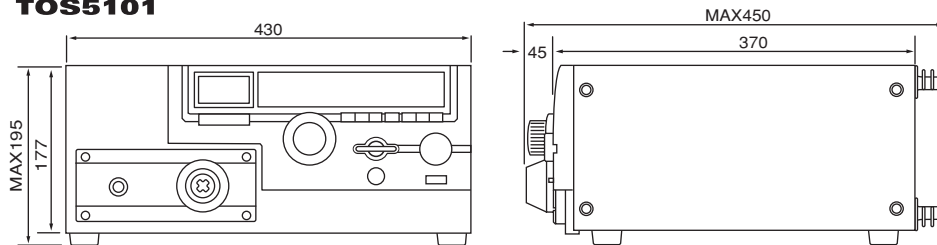
Withstanding Voltage Tester

Item	TOS5101	TOS5051	TOS5050	TOS5030
Safety	Conforms to the requirements of the following directive and standard.*2,4 Low Voltage Directive 73/23/EEC EN61010-1 Class I Pollution degree 2 UL1244 (The UL-approved products with input voltage of 120VAC satisfy the UL1244 standard.)	Conforms to the requirements of the following directive and standard.*3 UL1244 (The UL-approved products with input voltage of 120VAC satisfy the UL1244 standard.)		Conforms to the requirements of the following directive and standard.*2,4 Low Voltage Directive 73/23/EEC EN61010-1 Class I Pollution degree 2 UL1244 (The UL-approved products with input voltage of 120VAC satisfy the UL1244 standard.)
Insulation resistance	30 M Ω or more (500 V DC)			
Withstanding voltage	1390 VAC, 2 seconds [between the AC LINE and chassis] 1200 VAC, 1 second [UL-approved products only]			
Ambient temperature and humidity	Specification range : 5 °C to 35°C / 20 %rh to 80 %rh Operable range : 0 °C to 40°C / 20 %rh to 80 %rh Storage range : -20 °C to 70 °C / 80 %rh or less			
Dimensions (MAX)	430W X 177(195)H X 370(450)Dmm	320(330)W X 132(150)H X 300(365)Dmm		200(210)W X 132(160)H X 215(280)Dmm
Weight				
for line voltage of 100 V	Approx. 21 kg	Approx. 16 kg	Approx. 15 kg	Approx. 4.8 kg
for line voltage of 100 V to 120 V	Approx. 23 kg	Approx. 18 kg	Approx. 17 kg	Approx. 5.8 kg
for line voltage of 220 V to 240 V	Approx. 24 kg	Approx. 19 kg	Approx. 18 kg	Approx. 5.8 kg
Accessories				
High-voltage test lead	TL01-TOS (max.allowablevoltage: 5 kV /1.5m) TL03-TOS (max.allowablevoltage: 10 kV /1.5m)	TL01-TOS (max.allowablevoltage: 5 kV /1.5m)		TL01-TOS (max.allowablevoltage: 5 kV /1.5m)
Others	14-pin amphenol plug (assembled)	14-pin amphenol plug (assembled)		5P DIN plug (assembled)

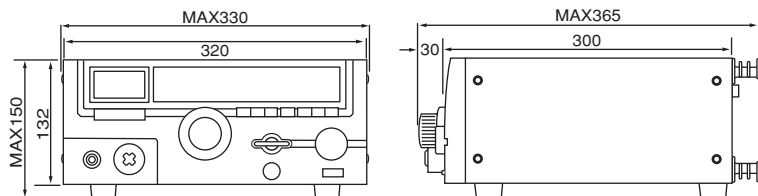
*4: This instrument is a Class I equipment. Be sure to ground the protective conductor terminal of the instrument. The safety of the instrument is not guaranteed unless the instrument is grounded properly.

External dimensional diagrams

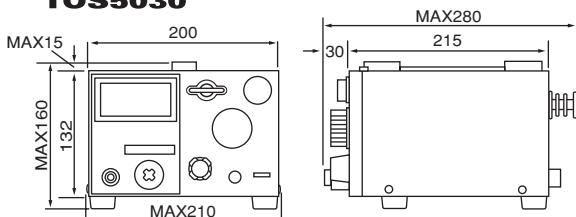
TOS5101



TOS5051/5050

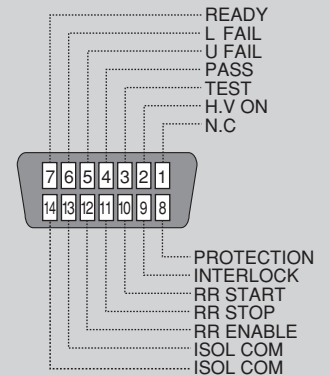


TOS5030



Unit: mm

[Pin Configuration for the SIGNAL I/O Connector]



*SIGNAL I/O connector is not available for Model TOS5030

TOS5000A SERIES

Withstanding Voltage Tester

Supports best-selling model's performance while featuring RS-232C as standard interface.



TOS5051A(AC/DC)
TOS5050A(AC)



Capable to record and storage of the test data

The TOS5000A series offers testers specifically designed to conduct withstanding voltage testing on electronic devices and components in accordance with the relevant safety standards. Two models are available - TOS5051A with 5 kV AC/DC output and TOS5050A with 5 kV AC output. While inheriting the basic performance of our best-selling TOS5000 series testers, TOS5000A has an additional feature - RS-232C interface - that comes standard with the tester. Because the tester can be connected directly to a PC and a serial printer, test data can be recorded and saved with ease, leading to further enhancement in quality control.

- Complies with various safety standards
- AC/DC output (TOS5051A)
- Large color display
- Digital voltmeter and ammeter
- Digital timer
- Window comparator type employed for Pass/fail judgement.
- Equipped with remote control function
- Various signal outputs
- Automatic discharge function (TOS5051A: during DC operation)
- Provided with zero turn-on switch
- Equipped with RS-232C as standard
- Data acquisition software (SD004-TOS5000A/Option)

TOS5000A SERIES

Withstanding Voltage Tester

Item	TOS5051A	TOS5050A
Output block		
Applied Voltage	0 to 2.5/ 0 to 5 kV AC and DC	0 to 2.5/ 0 to 5 kV AC
AC		
Output Rating	500VA / 5 kV, 100 mA (with nominal line voltage)	
Waveform	AC line voltage waveform	
Voltage Regulation (with nominal line voltage)	15% or better (against change from maximum rated load to no load)	
Switching	With zero-turn-on (zero-start) switch	
DC		
Maximum Output Rating	50W / 5 kV, 10 mA (with nominal line voltage)	-
Ripple	50 Vp-p typ. at 5 kV, no load 100 Vp-p typ. at rated max. output	-
Voltage Regulation (with nominal line voltage)	3% or better (against change from maximum rated load to no load)	-
Output Voltmeters		
Analog		
Scale	5 kV full scale (no mirrors), AC/DC	5 kV full scale (no mirrors), AC
Class	JIS Class 2.5	
Accuracy	±5% of full scale	
AC Indication	Mean value response / rms value graduation	
Digital		
Full Scale	2.5 kV/ 5kV full scale	
Accuracy	±1.5% of full scale	
AC Response	Mean value response / rms value display (Response time 600 ms)	
Ammeter		
Digital		
Accuracy	±(5% + 20µA) of upper cutoff current	
AC Response	Mean value response / rms value display (Response time 450 ms)	
Pass/fail Judgement Function		
Type of Judgement	<ul style="list-style-type: none"> • Window comparator type • If the current detected is larger than the preset upper cutoff current, the tester gives a FAIL judgement. • If the current detected is less than the preset lower cutoff current, the tester gives a FAIL judgement. • As the tester gives a FAIL judgement, it cuts off the output and delivers a FAIL signal. • If the test period elapses without any unacceptable conditions, the tester gives a PASS judgement. 	
Upper cutoff current setting range	AC: 0.1 to 110 mA DC: 0.1 to 11 mA	AC: 0.1 to 110 mA
Lower cutoff current setting range	AC: 0.1 to 110 mA DC: 0.1 to 11 mA	AC: 0.1 to 110 mA
Judgement Accuracy	±(5% + 20µA) of upper cutoff current	
Current Detection	The absolute value of current is integrated and compared with the preset cutoff current value.	
Calibration	Calibrated for rms value of sine wave, with pure-resistive load	
No-load output voltage required for detection	Approx. 460 V when at 100 mA AC setting Approx. 100V when at 10 mA DC setting	
Test Time Setting Range	0.5 to 999 sec (with timer-off function)	
Accuracy	±20 ms	
Line Voltage	100V±10%, 50/60 Hz (Factory modification options : Nominal voltages of 110V, 120V, 220V, 230V and 240V)	
Power Requirements		
for line voltage of 100 V	Max. 50 VA under no-load conditions / Approx. 610 VA at rated load	Max. 25 VA under no-load conditions / Approx. 600 VA at rated load
for line voltage of 100 V to 120 V	Max. 50 VA under no-load conditions / Approx. 630 VA at rated load	Max. 25 VA under no-load conditions / Approx. 600 VA at rated load
for line voltage of 220 V to 240 V	Max. 50 VA under no-load conditions / Approx. 640 VA at rated load	Max. 25 VA under no-load conditions / Approx. 640 VA at rated load
Environment	Ambient temperature and humidity : 5 °C to 35°C / 20 %rh to 80 %rh Operable temperature and humidity : 0 °C to 40°C / 20 %rh to 80 %rh Storage temperature and humidity : -20 °C to 70 °C / 80 %rh or less	
Electromagnetic compatibility*1	Conforms to the requirements of the following directive and standard. EMC Directive 89/336/EEC EN61326 EN61000-3-2 EN61000-3-3 Under following conditions 1. Used HV test leadwires TL01-TOS which is supplied. 2. No discharge occurs at outside of the tester. 3. Used the shielded cable which length is less than three meters when the SIGNAL I/O is used.	
Safety*1,2	Conforms to the requirements of the following directive and standard. Low Voltage Directive 73/23/EEC EN61010-1 Class I Pollution degree 2	
Insulation resistance	30 M Ω or more (500 V DC)	
Withstanding voltage	1390 VAC, 2 seconds [between the AC LINE and chassis]	
Dimensions (MAX)	320(330)W X 132(150)H X 300(365)Dmm	

*1: Only on models that have CE marking on the panel. Not applicable to custom order models.

*2: This instrument is a Class I equipment. Be sure to ground the protective conductor terminal of the instrument. The safety of the instrument is not guaranteed unless the instrument is grounded properly.

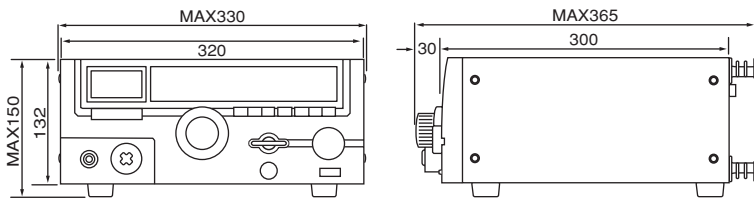
TOS5000A SERIES

Withstanding Voltage Tester

Item	TOS5051A	TOS5050A
Weight		
for line voltage of 100 V	Approx. 16 kg	Approx. 15 kg
for line voltage of 100 V to 120 V	Approx. 18 kg	Approx. 17 kg
for line voltage of 220 V to 240 V	Approx. 19 kg	Approx. 18 kg
Accessories	TL01-TOS (max. allowable voltage: 5 kV /1.5m)	
High-voltage test lead		
Others	14-pin amphenol plug (assembled)	

External dimensional diagrams

TOS5051A/5050A



Unit: mm

SD004-TOS5000A

Data Acquisition for TOS5051A/5050A

Providing an Easy Way to Collect, Manage, and Save Test Results

Highly Reliable Quality Control Can Be Achieved!

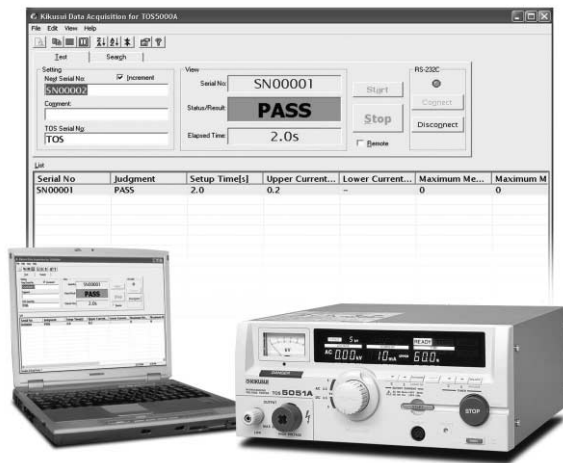
SD004-TOS5000A is a software product that lets you collect and manage test results generated by our TOS5000A Series withstanding voltage testers. Also, SD004-TOS5000A allows you to save, search, and print data with ease. What's more, you can execute or stop the test through a simple operation using a PC.

Features

- Test mode: Execution/stop function and automatic serial number incrementing function
- Search mode: Data item rearrangement and ascending/descending order function, search function ("sounds-like" search supported), print function (layout change supported), and text and HTML file output function.

Operating Environment

Pentium III or later, Windows XP/Windows 2000/Windows Me, CD-ROM drive, mouse, display supporting 800 x 600 resolution, 128 MB or more of memory (recommended), 50 MB or more of free space in hard disk drive (for installation) plus sufficient disk capacity to store necessary files, and RS-232C (data rate of 9600 bps; use an RS-232C cross cable for connection.)



TOS5052

Withstanding Voltage Tester

Equipped with Rise Time Control Function



TO5052

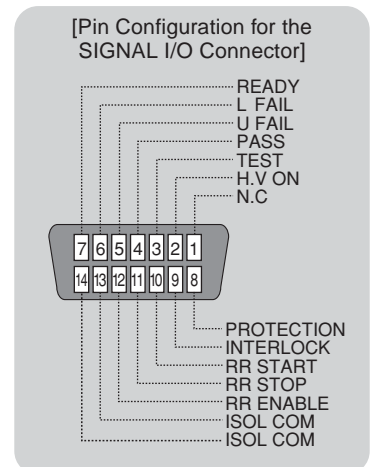


Rise Time Control function is enable to comply to the Standard requirement for those degradation, destructive testing of sensitive materials

TOS5052 is a special tester designed for withstand-voltage testing of electronic equipment and components conforming to various official safety standards. In addition to having an output of 5 kV AC at 100 mA, this model permits output voltage presetting, selection of output frequency (50 or 60 Hz), and rise-time control to control time for voltage to reach a preset level.

The display uses a large, high-brightness, color fluorescent tube for clear display of numbers, operation status, results, and other information. For fast and accurate testing, the TOS5052 permits dual-axis operation of the test voltage range selector switch and voltage setting knob, and separate up-down keys for determination current and timer settings. Easier to use than ever before, the TOS5052 also incorporates various safety and security features, including key lock, interlock, high-voltage output terminals limiting the number of insertion holes, and large "DANGER" warning lamps. These features make using the TOS5052 safe and reliable.

- Complies with various standards
- Rise-time control function
- High-output test voltage
- Acceptance determination by the window comparator method



TOS5052

Withstanding Voltage Tester

Output block		
Output voltage range	0.50 kV to 5.00 kVAC (100 mA output possible range)	
Voltage setting range	0.00 to 2.95 kV/0.00 to 5.45 kV, 2 ranges (3-digit digital setting)	
	Setting accuracy	±(2% of setting + 2 digits) at 0.20 kV or higher with no load
	Resolution	10V
Maximum rated output *1	500VA (5kV/100mA)	
Transformer capacity	500VA	
Output voltage waveform	Sine wave	
Distortion factor	Output voltage of 0.5 kV or higher: 2% or less (under no load or resistive load)	
Frequency	50 or 60 Hz selectable (0.5% of setting, except during voltage rise)	
Voltage regulation	9% or less (maximum rated load to no load)	
Output type	PWM switching	
Output voltage	Output is shut off and protection is effected when the output voltage exceeds the set value plus 200V. "kV" blinks when the output voltage falls below the set voltage minus 100V.	
Output voltmeter		
Analog	Scale	5 kV f.s
	Accuracy	±5% f.s
	Indication	Mean-value response/rms-value indication
Digital	Scale	2.5 kV/5 kV f.s
	Accuracy	±1.5% f.s when the measured voltage does not change within the digital voltmeter's response time.
	Response	Mean-value response/rms-value indication (400 ms response time)
	Hold function	The voltage measured at the end of test is held during the PASS or FAIL interval.
Ammeter		
Digital	Measuring range	0.00 to 110mA
	Accuracy	±(5% of upper cutoff current + 20µA) when the measured current does not change within the digital ammeter's response time.
	Response	Mean-value response/rms-value indication (400 ms response time)
	Hold function	The current measured at the end of test is held during the PASS interval.
Judgement function		
Judgement system	Window comparator system <ul style="list-style-type: none"> •FAIL is judged when a current greater than the upper cutoff current is detected. •FAIL is judged when a current smaller than the lower cutoff current is detected. •OUTPUT is shut off and FAIL SIGNAL is generated when FAIL is judged. •PASS SIGNAL is generated when no anomaly is found within the set time. 	
Upper cutoff current range	0.1 to 110mA	
Lower cutoff current range	0.1 to 110mA The TOS5052 makes no lower pass/fail judgment while the voltage is rising and for approximately 0.2s after the voltage is made constant.	
Judgement accuracy	±(5% of upper cutoff current + 20µA)	
Current detection method	Absolute value of current is integrated and compared against the reference value.	
Calibration	The root mean square value of sine wave is calibrated using the pure resistive load.	
Illuminators and LEDs		
	PASS	Lit for approximately 0.2 s when PASS is judged. Held on when PASS HOLD is enabled.
	UPPER FAIL	Lit when a current greater than the upper cutoff current is detected and FAIL is judged.
	LOWER FAIL	Lit when a current smaller than the lower cutoff current is detected and FAIL is judged.

Buzzer	<ul style="list-style-type: none"> •Turned on for approximately 0.2 s when PASS is judged. •Held on in the following cases: PASS is judged – when PASS HOLD is enabled. UPPER FAIL is judged. LOWER FAIL is judged. The volume of the FAIL or PASS buzzer may be adjusted. The volume setting is common to both FAIL and PASS conditions because the same adjuster is used.	
--------	---	--

Time		
Voltage	Range	0.1 to 99.9s 0.1s step
	Accuracy	±20ms
Test time	Range	0.3 to 999 s (TIMER OFF function available)
	Accuracy	±20ms

Environment		
Warranty range	Temperature	5 to 35°C
	Humidity	20 to 80%rh (non condensing)
Operating range	Temperature	0 to 40°C
	Humidity	20 to 80%rh (non condensing)
Storage range	Temperature	-20 to 70°C
	Humidity	90%rh or less (non condensing)

Power requirement		
Allowable voltage range	90V to 110V The following power voltage options are factory options: (104 V to 125 V)(194 V to 236V) (207 V to 250 V)	

Power consumption	No load time (READY)	150 VA or less
	Rated load time	1,000 VA max.
Allowable frequency range	45Hz to 65Hz	
Insulation resistance	30MΩ min. (500VDC), between AC line and chassis	
Withstanding voltage	1,390 V AC (2 seconds), between AC line and chassis	
Ground continuity	25 A AC/ 0.1Ω max.	

Electromagnetic compatibility (EMC)*2

Conforms to the requirements of the following directive and standard.

EMC Directive 89/336/EEC

EN61326

EN61000-3-2

EN61000-3-3

Under following conditions

1. Used HV test leadwires which is supplied.
2. No discharge in testing.
3. Used the shielded cable which length is less than three meters when the SIGNAL I/O is used.

Safety*2, 3

Conforms to the requirements of the following directive and standard.

Low Voltage Directive 73/23/EEC

EN61010-1

Class I

Pollution degree 2

Dimensions (MAX)	320(330) W × 132(150) H × 420(490) Dmm
Weight	Approx. 22kg

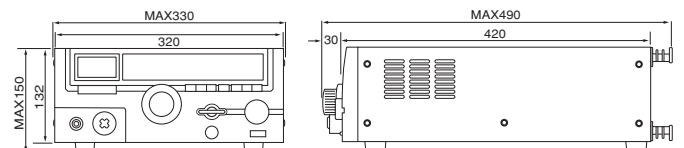
Accessories	
AC Power cable	1 Piece.
High-voltage test leadwire	TL01-TOS (1.5m) 1 set
14-pin Amphenol plug	1 piece., assembly type
"DANGER HIGH VOLTAGE" sticker	1 sheet
AC power fuse	2 pieces. (One in present use and the other as spare in the fuse holder cap)
Operation manual	1 copy

*1: Maximum testing time is 30 minutes. However, it may limit the continuous duration (time) of output by upper current limit and the environmental temperature.

*2: Only on models that have CE marking on the panel. Not applicable to custom order models.

*3: This instrument is a Class I equipment. Be sure to ground the protective conductor terminal of the instrument. The safety of the instrument is not guaranteed unless the instrument is grounded properly.

External dimensional diagrams



Unit: mm

TOS7200

Insulation Resistance Tester

High cost performance, compact size with full features of Insulation Resistance Tester



TO7200



Testing voltage range -25 to -1,000V, Resistance measurement range 0.01MΩ to 5,000MΩ

The TOS7200 is an insulation resistance tester available for a wide range of various electric and electronic components, as well as electric and electronic equipment. Output voltage can be optionally set in the range of 25 to 1000 V (negative polarity) with a resolution of 1 V. As it is fitted with a window comparator and timer function, the tester is capable of efficiently conducting insulation resistance tests based on various safety standards. In addition, this product is equipped with panel memory as standard feature, which can be recalled by remote control, SIGNAL I/O connector, and the RS-232C interface for easy automatic testing system construction.

- Provided with the discharge function
- Equipped with the window comparator
- Hold function (which holds the measured resistance at the end of testing while PASS judgment is being output)
- Provided with the timer function
- Rear output terminals
- Measured-value monitoring terminals
- Equipped with the panel memory (enabling 10 different settings to be stored)
- Equipped with the SIGNAL I/O connector and remote control terminal
- Has the RS-232C interface as standard

TOS7200

Insulation Resistance Tester

Withstanding Voltage test mode

Output section																															
Output voltage range	-25 V to -1000 V																														
Resolution	1 V																														
Accuracy	±(1.5 % of setting + 2 V)																														
Maximum rated load	1 W (-1000 V DC/1 mA)																														
Maximum rated current	1 mA																														
Output terminals	Output type Floating																														
	Isolation voltage ±1000 VDC																														
Ripple	1000 V / under no load 2 Vp-p or less																														
	Maximum rated load 10 Vp-p or less																														
Voltage regulation	1% or less (maximum rated load → no load)																														
Short-circuiting current	12 mA or less																														
Output rise time	50 ms or less (10 % to 90 %) [no load]																														
Discharge function	Forced discharge at the end of test (discharge resistance: 25 k Ω)																														
Voltmeter																															
Measurement range	0 V to -1200 V																														
Resolution	1 V																														
Accuracy	±(1 % of reading +1 V)																														
Resistance meter																															
Measurement range	0.01 M Ω to 5000 M Ω (In the range of over 100 nA to a maximum rated current of 1 mA)																														
Display	<table border="1"> <tr> <td>R < 10.0 M Ω</td> <td>10.0MΩ ≤ R < 100.0MΩ</td> <td>100.0MΩ ≤ R < 1000MΩ</td> <td>1000MΩ ≤ R ≤ 5000MΩ</td> </tr> <tr> <td>□.□ □ M Ω</td> <td>□ □.□ M Ω</td> <td>□ □ □ M Ω</td> <td>□ □ □ □ M Ω</td> </tr> </table> R = measured insulation resistance	R < 10.0 M Ω	10.0MΩ ≤ R < 100.0MΩ	100.0MΩ ≤ R < 1000MΩ	1000MΩ ≤ R ≤ 5000MΩ	□.□ □ M Ω	□ □.□ M Ω	□ □ □ M Ω	□ □ □ □ M Ω																						
R < 10.0 M Ω	10.0MΩ ≤ R < 100.0MΩ	100.0MΩ ≤ R < 1000MΩ	1000MΩ ≤ R ≤ 5000MΩ																												
□.□ □ M Ω	□ □.□ M Ω	□ □ □ M Ω	□ □ □ □ M Ω																												
Accuracy	<table border="1"> <tr> <td>100 nA < i ≤ 200 nA</td> <td>200 nA < i ≤ 1 μA</td> <td>1 μA < i ≤ 1 mA</td> </tr> <tr> <td>± (10 % of reading)</td> <td>± (5 % of reading)</td> <td>± (2 % of reading)</td> </tr> </table> i = measured output-voltage value/measured resistance value [In the humidity range of 20 %rh to 70 %rh (no condensation), with no disturbance such as swinging of the test leadwire]	100 nA < i ≤ 200 nA	200 nA < i ≤ 1 μA	1 μA < i ≤ 1 mA	± (10 % of reading)	± (5 % of reading)	± (2 % of reading)																								
100 nA < i ≤ 200 nA	200 nA < i ≤ 1 μA	1 μA < i ≤ 1 mA																													
± (10 % of reading)	± (5 % of reading)	± (2 % of reading)																													
Measurement range	The current measurement range is selectable between AUTO and FIX.																														
	AUTO Automatically changes the current measurement range according to the measured current value.																														
	FIX Fixes the current measurement range based on the output voltage set value and LOWER set value (in UPPER OFF status).																														
Holding function	Holds the resistance value obtained at the end of testing while a PASS judgment is being output.																														
Judgment function																															
Judgement method/action	<table border="1"> <thead> <tr> <th>Judgement</th> <th>Judgement method</th> <th>Display</th> <th>Buzzer</th> <th>SIGNAL I/O</th> </tr> </thead> <tbody> <tr> <td>UPPER FAIL</td> <td>If a resistance value equal or higher than the upper resistance is detected, the tester shuts off the output and returns an UPPER FAIL judgment.</td> <td>FAIL LED lights. UPPER LED lights.</td> <td>ON</td> <td>Outputs an U FAIL signal</td> </tr> <tr> <td>LOWER FAIL</td> <td>If a resistance value equal or less than the lower resistance is detected, the tester shuts off the output and returns a LOWER FAIL judgment. Note that no judgment is made within the judgment wait time (WAIT TIME) after the start of the test.</td> <td>FAIL LED lights. LOWER LED lights.</td> <td>ON</td> <td>Outputs a L FAIL signal</td> </tr> <tr> <td>PASS</td> <td>If no abnormality is found when the set test time has elapsed, the tester shuts off the output and returns a PASS judgment.</td> <td>PASS LED lights.</td> <td>ON</td> <td>Outputs a PASS signal</td> </tr> </tbody> </table> <ul style="list-style-type: none"> • A PASS signal is output for approx. 200 ms. However, if the PASS HOLD function is set to "HOLD," the signal is continuously output until a STOP signal is input. • An UPPER FAIL or LOWER FAIL signal is continuously output until a STOP signal is input. • The FAIL and PASS buzzer volumes are adjustable. However, they cannot be adjusted individually, as they are set in common. 	Judgement	Judgement method	Display	Buzzer	SIGNAL I/O	UPPER FAIL	If a resistance value equal or higher than the upper resistance is detected, the tester shuts off the output and returns an UPPER FAIL judgment.	FAIL LED lights. UPPER LED lights.	ON	Outputs an U FAIL signal	LOWER FAIL	If a resistance value equal or less than the lower resistance is detected, the tester shuts off the output and returns a LOWER FAIL judgment. Note that no judgment is made within the judgment wait time (WAIT TIME) after the start of the test.	FAIL LED lights. LOWER LED lights.	ON	Outputs a L FAIL signal	PASS	If no abnormality is found when the set test time has elapsed, the tester shuts off the output and returns a PASS judgment.	PASS LED lights.	ON	Outputs a PASS signal										
Judgement	Judgement method	Display	Buzzer	SIGNAL I/O																											
UPPER FAIL	If a resistance value equal or higher than the upper resistance is detected, the tester shuts off the output and returns an UPPER FAIL judgment.	FAIL LED lights. UPPER LED lights.	ON	Outputs an U FAIL signal																											
LOWER FAIL	If a resistance value equal or less than the lower resistance is detected, the tester shuts off the output and returns a LOWER FAIL judgment. Note that no judgment is made within the judgment wait time (WAIT TIME) after the start of the test.	FAIL LED lights. LOWER LED lights.	ON	Outputs a L FAIL signal																											
PASS	If no abnormality is found when the set test time has elapsed, the tester shuts off the output and returns a PASS judgment.	PASS LED lights.	ON	Outputs a PASS signal																											
Setting range for the upper resistance (UPPER)	0.01 M Ω to 5000 M Ω [In the range of the maximum rated current or less]																														
Setting range for the lower resistance (LOWER)	0.01 M Ω to 5000 M Ω [In the range of the maximum rated current or less]																														
Judgement accuracy For both UPPER and LOWER	<table border="1"> <thead> <tr> <th>Judgement current</th> <th>100 nA < i ≤ 200 nA</th> <th>200nA < i ≤ 1 μA</th> <th>1 μA < i ≤ 1 mA</th> </tr> </thead> <tbody> <tr> <td rowspan="7">UPPER, LOWER</td> <td>0.01 ≤ R < 10.0 M Ω</td> <td>—</td> <td>—</td> </tr> <tr> <td>10.0 ≤ R < 50.0 M Ω</td> <td>—</td> <td>± (5 % of setting + 5digit)</td> </tr> <tr> <td>50.0 ≤ R < 100 M Ω</td> <td>—</td> <td>± (5 % of setting + 5digit)</td> </tr> <tr> <td>100 M Ω ≤ R < 200 M Ω</td> <td>± (10 % of setting + 5digit)</td> <td>± (5 % of setting + 5digit)</td> </tr> <tr> <td>200 M Ω ≤ R < 500 M Ω</td> <td>± (10 % of setting + 5digit)</td> <td>± (5 % of setting + 5digit)</td> </tr> <tr> <td>500 M Ω ≤ R < 1000 M Ω</td> <td>± (10 % of setting + 5digit)</td> <td>± (5 % of setting + 5digit)</td> </tr> <tr> <td>1000 M Ω ≤ R < 2000 M Ω</td> <td>± (10 % of setting + 50digit)</td> <td>± (5 % of setting + 50digit)</td> </tr> <tr> <td>2000 M Ω ≤ R < 5000 M Ω</td> <td>± (10 % of setting + 100digit)</td> <td>± (5 % of setting + 50digit)</td> <td>—</td> </tr> </tbody> </table> Judgement current = test voltage /(UPPER,LOWER) <p>[The humidity must be in the range of 20 %rh to 70 %rh (no condensation permitted), and there must be no disturbance such as swinging of the test leadwires.]</p> <p>[The lower judgment requires a test duration of 0.5 s or more after the wait time has expired. It also requires a wait time of 1.0 s or more for a lower judgment of 200 nA or less.]</p>	Judgement current	100 nA < i ≤ 200 nA	200nA < i ≤ 1 μA	1 μA < i ≤ 1 mA	UPPER, LOWER	0.01 ≤ R < 10.0 M Ω	—	—	10.0 ≤ R < 50.0 M Ω	—	± (5 % of setting + 5digit)	50.0 ≤ R < 100 M Ω	—	± (5 % of setting + 5digit)	100 M Ω ≤ R < 200 M Ω	± (10 % of setting + 5digit)	± (5 % of setting + 5digit)	200 M Ω ≤ R < 500 M Ω	± (10 % of setting + 5digit)	± (5 % of setting + 5digit)	500 M Ω ≤ R < 1000 M Ω	± (10 % of setting + 5digit)	± (5 % of setting + 5digit)	1000 M Ω ≤ R < 2000 M Ω	± (10 % of setting + 50digit)	± (5 % of setting + 50digit)	2000 M Ω ≤ R < 5000 M Ω	± (10 % of setting + 100digit)	± (5 % of setting + 50digit)	—
Judgement current	100 nA < i ≤ 200 nA	200nA < i ≤ 1 μA	1 μA < i ≤ 1 mA																												
UPPER, LOWER	0.01 ≤ R < 10.0 M Ω	—	—																												
	10.0 ≤ R < 50.0 M Ω	—	± (5 % of setting + 5digit)																												
	50.0 ≤ R < 100 M Ω	—	± (5 % of setting + 5digit)																												
	100 M Ω ≤ R < 200 M Ω	± (10 % of setting + 5digit)	± (5 % of setting + 5digit)																												
	200 M Ω ≤ R < 500 M Ω	± (10 % of setting + 5digit)	± (5 % of setting + 5digit)																												
	500 M Ω ≤ R < 1000 M Ω	± (10 % of setting + 5digit)	± (5 % of setting + 5digit)																												
	1000 M Ω ≤ R < 2000 M Ω	± (10 % of setting + 50digit)	± (5 % of setting + 50digit)																												
2000 M Ω ≤ R < 5000 M Ω	± (10 % of setting + 100digit)	± (5 % of setting + 50digit)	—																												
Time																															
Setting range for the test duration (TEST TIME)	0.5 s to 999 s (TIMER OFF function provided)																														
Setting range for the wait time (WAIT TIME)	0.3 s to 10 s [TEST TIME > WAIT TIME]																														
Accuracy	±(100 ppm + 20 ms)																														

TOS7200

Insulation Resistance Tester

Interface and Other Functions

REMOTE	6-pin mini-DIN connector on the front panel The optional remote controller RC01-TOS or RC02-TOS is connected to remotely control starting/stopping of a test (note that a DIN-mini DIN adapter is required).
SIGNAL I/O	D-SUB 25-pin connector on the rear panel For names and descriptions of connector signals.

No.	Signal name I/O	Description of signal
1	PM0	I LSB *1
2	PM1	I *1
3	PM2	I *1
4	PM3	I MSB *1
5	N.C	
6	N.C	
7	N.C	
8	N.C	
9	STB	I Input terminal for the strobe signal of the panel memory
10	N.C	
11	N.C	
12	N.C	
13	COM	Circuit common (chassis potential)
14	HV ON	O ON during a test or while a voltage remains between the output terminals
15	TEST	O ON during a test
16	PASS	O ON for approx. 0.2 seconds when PASS judgment is made, or continuously ON while PASS HOLD is activated
17	U FAIL	O Continuously ON if an insulation resistance equal to or exceeding the upper resistance is detected, resulting in FAIL judgment
18	L FAIL	O Continuously ON if an insulation resistance equal to or falling below the lower resistance is detected, resulting in FAIL judgment
19	READY	O ON during standby
20	N.C	
21	START	I Input terminal for the START signal
22	STOP	I Input terminal for the STOP signal
23	ENABLE	I Remote control enable signal input terminal
24	N.C	
25	COM	Circuit common (chassis potential)

[Pin Configuration for the SIGNAL I/O Connector]



*1: 1-digit BCD active LOW input

Panel memory's selection signal input terminal
Memory recall by latching this selection signal at the rise of the strobe signal

Input specifications

High-level input voltage	11 V to 15 V	All input signals are active Low controlled. The input terminal is pulled up to +12 V using a resistor. Opening the input terminal is equivalent to inputting a high-level signal.
Low-level input voltage	0 V to 4 V	
Low-level input current	-5 mA maximum	
Input time width	5 ms minimum	

Output specifications

Output method	Open collector output (4.5 V to 30 V DC)
Output withstand voltage	30 V DC
Output saturation voltage	Approx. 1.1 V (at 25°C)
Maximum output current	400 mA (TOTAL)

ANALOG OUT Outputs a logarithmically compressed voltage corresponding to the measured resistance value

+	$V_o = \log(1 + R_x / 1M\Omega)$ where R_x = measured resistance value (1 M Ω : 0.30 V; 10 M Ω : 1.04 V; 100 M Ω : 2.00 V; 1000 M Ω : 3.00 V; 10000 M Ω or more: 4.00 V). Output impedance: 1 k Ω
COM	Analog output-circuit common
Accuracy	$\pm(2\%$ of full scale)

RS-232C D-SUB 9-pin connector on the rear panel (compliant with EIA-232-D)
All functions other than the POWER switch and KEY-LOCK function are remotely controllable.

Baud rate	9600 bps/19200 bps/38400 bps (data: 8 bits; parity: none; stop bit: 2 bits fixed)
-----------	--

Display 7-segment LED, 4-digit voltage display, 4-digit insulation resistance display, and 3-digit time display

Memory function A maximum of 10 types of test conditions can be stored in memory.

Backup battery life 3 years or more (at 25 °C)

TEST MODE

MOMENTARY	A test is conducted only when the START switch is pressed.
FAIL MODE	Disables cancellation of FAIL judgment using a stop signal via remote control.
DOUBLE ACTION	Starts a test only when the STOP switch is pressed and the START switch is pressed within approximately a half-second.
PASS HOLD	Allows the time of holding PASS judgment to be set to 0.2 s or HOLD.

KEYLOCK Places the tester in a state in which no keystroke other than the START/STOP switch is accepted.

General Specifications

Environment	
Installation location	Indoors and at altitudes up to 2000 m
Warranty range	Temperature 5 °C to 35 °C
	Humidity 20 %rh to 80 %rh (no condensation)
Operating range	Temperature 0 °C to 40 °C
	Humidity 20 %rh to 80 %rh (no condensation)
Storage range	Temperature -20 °C to 70 °C
	Humidity 90 %rh or less (no condensation)
Power requirements	
Nominal voltage range (allowable voltage range)	100 V to 240 V AC (85 V to 250 V AC)
Power consumption At rated load	30 VA maximum
Allowable frequency range	47 Hz to 63 Hz
Insulation resistance	30 M Ω or more (500 V DC) [AC LINE to chassis]
Withstanding voltage	1390 V AC for 2 seconds, 10 mA or less [AC LINE to chassis]
Earth continuity	25 A AC/0.1 Ω or less

Electromagnetic compatibility (EMC)*1

Conforms to the requirements of the following directive and standard.

EMC Directive 89/336/EEC
EN61326
EN61000-3-2
EN61000-3-3

Under following conditions

1. Used HV test leadwires TL08-TOS which is supplied.
2. No discharge occurs at outside of the tester.
3. Used the shielded cable which length is less than three meters when the SIGNAL I/O is used.

Safety*1, 2

Conforms to the requirements of the following directive and standard.

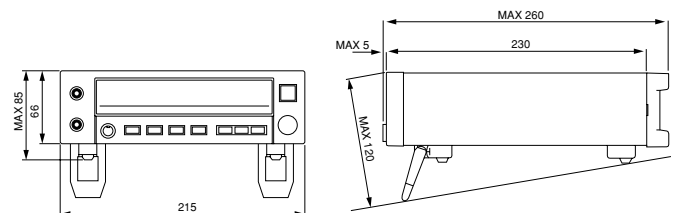
Low Voltage Directive 73/23/EEC
EN61010-1
Class I
Pollution degree 2

Dimensions (max.)	215 (215) W x 66 (85) H x 230 (260) Dmm
Weight	Approx. 2 kg
Accessories	AC power cable 1 pc. TL08-TOS high-voltage test leadwires (1.5 m) 1 set Operation Manual 1 copy

*1: Only on models that have CE marking on the panel. Not applicable to custom order models.

*2: This instrument is a Class I equipment. Be sure to ground the protective conductor terminal of the instrument. The safety of the instrument is not guaranteed unless the instrument is grounded properly.

External dimensional diagrams



Unit: mm

TOS6210

Earth Continuity Tester

Supports UL60950-1

New Standard for Information Technology Equipment (ITE)

NEW



TOS6210

GPIB **RS-232C** **DRIVERS**

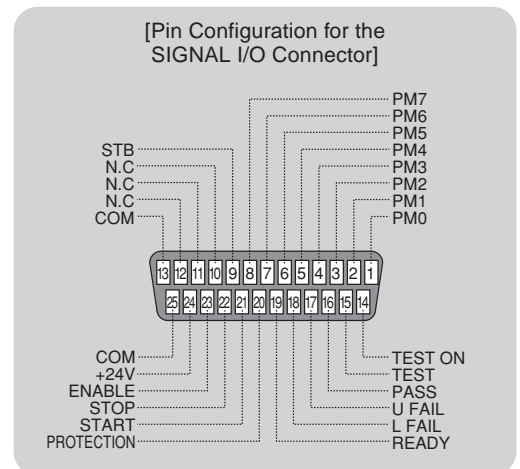
UL60950-1-Compliant 40A/60A Tests are possible!

While inheriting the basic performance and functions of its predecessor (TOS6200), such as a constant current driving system that provides current waveforms with little skew and high measurement accuracy, the TOS6210 tester extends the maximum test current from 30 A to 60 A, which is demanded by the new standard.

In addition, the tester also lets you judge the acceptability of the device under test based on the drop in voltage, as required in the standard. What's more, you can preset test conditions of up to 20 different types of safety standards, such as those for information technology equipment, home appliances, medical devices, and measuring instruments, in the memory on the main unit's panel. A simple memory call operation allows you to set up a protective earthing or protective bonding continuity test as stipulated in UL60950-1 and other relevant specifications including IEC and JIS standards.

The tester also features a set of functions that meet the specific needs of testing personnel, such as an offset cancellation function and a memo function that allows you to input calibration dates, production numbers, and other test-related information and read the input information later via the GPIB or RS-232C interface.

- Test current value: 6 to 60 A AC / Resistance value: 0.001 to 0.600Ω
- Voltage drop-based judgment function
- Offset cancelling function
- Stores 100 test conditions in memory
- Incorporates test conditions into program
- Contact Check function
- Equipped with standard GPIB and RS-232C interfaces
- Equipped with standard test lead (TL12-TOS)



TOS6210

Earth Continuity Tester

Output block		
Current setting range (*1)	6.0 to 62.0 A AC (With respect to resistance resulting in output power of the maximum rated Output or less and an output terminal voltage of 5.4 V or less)	
Resolution	0.1A	
Accuracy	± (1% of setting + 0.4A)	
Maximum rated output	220 VA (at the output terminals)	
Distortion factor	2% or less (with respect to 0.1 Ω pure resistance load of 20 A or greater)	
Frequency	50/60 Hz, sine wave (selectable)	
Accuracy	±200ppm	
Open terminal voltage	6 Vrms or less	
Output method	PWM switching method	
Output ammeter		
Measurement range	0.0 to 66.0 A AC	
Resolution	0.1A	
Accuracy	± (1% of reading + 0.4A)	
Response	Mean value response/rms value display (response time: 200 ms)	
Holding function	The current measured at the end of test is held during the PASS or FAIL interval	
Output voltmeter		
Measurement range	0.00 to 6.00 V AC	
Resolution	0.01V	
Offset cancel function	0.00 to 5.40 V (Offset ON/OFF function provided)	
Accuracy	± (1% of reading + 0.02V)	
Response	Mean value response/rms value display (response time: 200 ms)	
Holding function	The voltage measured at the end of test is held during the PASS or FAIL interval	
Ohmmeter (*2)		
Measurement range	0.001 to 0.600 Ω	
Resolution	0.001 Ω	
Offset cancel function	0.000 to 0.600 Ω (Offset ON/OFF function provided)	
Accuracy	± (2% of reading + 0.003 Ω)	
Holding function	The resistance measured at the end of test is held during the PASS or FAIL interval	
Pass/fail judgement function (*3)		
Resistance value-based judgement	Window comparator system <ul style="list-style-type: none"> •If a resistance value equal to or greater than the upper reference value is detected, a FAIL determination is returned. •If a resistance value equal to or less than the lower reference value is detected, a FAIL determination is returned. •If a resistance value has been judged as FAIL, the tester shuts off the output and generates a FAIL signal. •If the set time elapses without abnormalities, the tester shuts off the output and generates a PASS signal. 	
Setting range for the upper reference value (UPPER)	0.001 to 0.600 Ω	
Setting range for the lower reference value (LOWER)	0.001 to 0.600 Ω	
Resolution	0.001 Ω	
Judgement accuracy	± (2% of UPPER + 0.003 Ω)	
Sampled voltage value-based judgement	Window comparator system <ul style="list-style-type: none"> •If a voltage value equal to or greater than the upper reference value is detected, a FAIL determination is returned. •If a voltage value equal to or less than the lower reference value is detected, a FAIL determination is returned. •If a voltage value has been judged as FAIL, the tester shuts off the output and generates a FAIL signal. •If the set time elapses without abnormalities, the tester shuts off the output and generates a PASS signal. 	
Setting range for the upper reference value (UPPER)(*4)	0.01 to 5.40 V	
Setting range for the lower reference value (LOWER)	0.01 to 5.40 V	
Resolution	0.01 V	
Judgement accuracy	± (2% of UPPER + 0.05 V)	
Calibration		
Calibration is performed with the rms value of the sine wave, using a pure resistance load.		
LED	PASS	Lights for approximately 0.2 sec when the measured value has been judged as PASS. It is lit continuously when the PASS holding time is set to HOLD.
	UPPER FAIL	Lights if a resistance or voltage value equal to or greater than the upper reference value is detected and judged FAIL.
	LOWER FAIL	Lights if a resistance or voltage value equal to or greater than the upper reference value is detected and judged FAIL.
Buzzer	<ul style="list-style-type: none"> •The buzzer sounds for the pass holding time has been set if the measured value has been judged as PASS. •The buzzer sounds continuously under the following condition: The measured value has been judged as PASS when the PASS holding time is set to HOLD. The measured value has been judged as UPPER FAIL. The measured value has been judged as LOWER FAIL. •The buzzer volume for FAIL or PASS judgment are adjustable. Note that it cannot be adjusted individually since setting is shared with the setting for PASS.	

*1: Time limitation with respect to output

The heat radiation capacity at the output block of the tester is designed to be one-third of the rated output, accounting for size, weight, cost, and other factors. Always use the tester within the limitation values given below. Use of the tester beyond these limits will cause the temperature of the output block to rise excessively, potentially tripping the internal protection circuit. In this case, suspend testing for approximately 30 minutes, then press the STOP switch. When temperatures fall to normal levels, the tester will revert to ready status.

Output time limitation			
Ambient temperature t (°C)	Test current I (A)	Pause time	Maximum allowable continuous test time
t ≤ 40°	40 < I ≤ 60	Equal to or greater than the test time	≤ 10 minutes
	20 < I ≤ 40	Equal to or greater than the test time	≤ 30 minutes
	I ≤ 20	Not required	Continuous output possible

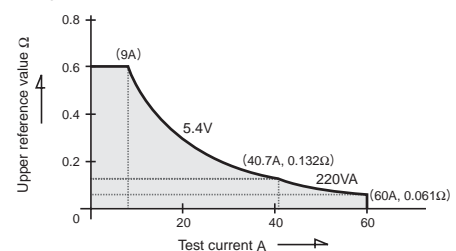
*2: About ohmmeter's response time

A resistance value is instantaneously obtained, calculated using the measured voltage and current values. The response time of the ohmmeter complies with the response times of the voltmeter and ammeter.

*3: Resistance value-based and sampled voltage value-based judgments cannot be simultaneously conducted.

*4: Limited by the maximum rated output and the output terminal voltage. The tester can be used within the range shown below.

Allowable range in which to determine the test current value and upper reference value



TOS6210

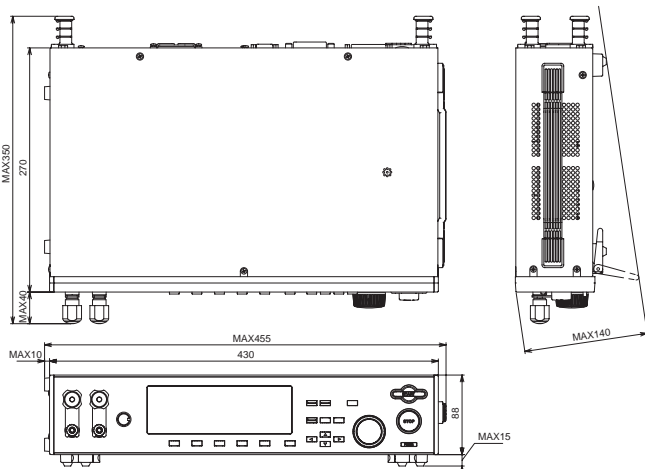
Earth Continuity Tester

Time		
Test time	Setting range	0.3 to 999 s Timer ON/OFF function is available.
	Accuracy	± (100ppm of setting + 20ms)
Environment		
Operating environment		Indoor use, Overvoltage Category II
Warranty range	Temperature	5° to 35°C
	Humidity	20 %rh to 80 %rh (non condensing)
Operating range	Temperature	0° to 40°C
	Humidity	20 %rh to 80 %rh (non condensing)
Storage range	Temperature	-20° to 70°C
	Humidity	90 %rh or less (non condensing)
Altitude		Up to 2000m
Power requirement		
Allowable voltage range		85 to 250 V AC
Power consumption	At no load (READY)	60 VA or less
	At rated load	420 VA max.
Allowable frequency range		47 Hz to 63 Hz
Insulation resistance		30MΩ min. (500 V DC), between AC line and chassis
Withstanding voltage		1390 V AC (2 seconds), between AC line and chassis
Earth continuity		25 A AC/0.1 Ω max.
Electromagnetic compatibility (EMC) (*5,6)		
Conforms to the requirements of the following directive and standard.		
EMC Directive 89/336/EEC		
EN61326		
EN61000-3-2		
EN61000-3-3		
Under following conditions		
1. Used test leadwire (TL12-TOS) which is supplied.		
2. Used the shielded cable which length is less than three meters when the SIGNAL I/O is used.		
Safety (*5)		
Conforms to the requirements of the following directive and standard.		
Low Voltage Directive 73/23/EEC		
EN61010-1		
Class I		
Pollution degree 2		
Physical dimensions (max)		430(455)W × 88(140)H × 270(350)Dmm
Weight		Approx. 11kg
Accessories		
AC power cord		1 piece
Test leadwire TL12-TOS		1 set
Short bar		2 pieces (These are inserted between the OUTPUT and SAMPLING terminals.)
AC power fuse		2 pieces (2, including one spare in the fuse holder)
Operation manual		1 copy

*5: Not applicable to custom order models.

*6: Only on models that have CE marking on the panel.

— External dimensional diagrams —



Unit: mm

TOS6200

Earth Continuity Tester

Pursuing to maximize an easy operation, stylish design of Earth Continuity Tester



TOS6200



Adopting the constant current method to apply Automated testing system

Perfect feature for the Production line which requires reduced tact time

The TOS6200 tester is designed to perform the earth continuity tests required for class-I devices by safety standards such as IEC, EN, VDE, BS, UL, JIS, and the Electrical Appliance and Material Safety Low (Japan).

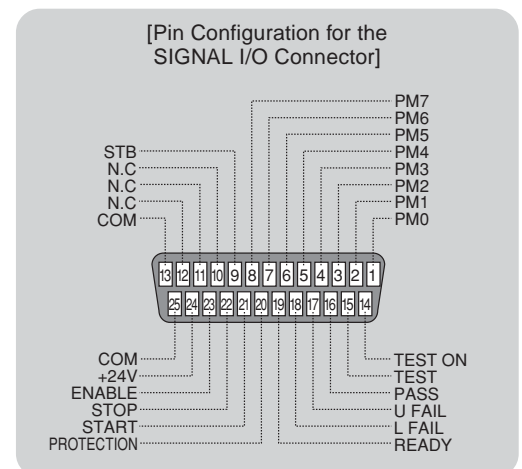
Equipped with a new high-efficiency power supply, it is compact and lightweight, about half the size and weight of our conventional products, while achieving a large output of 150 VA.

Use of the constant current method eliminates the need to reset test currents even in the face of fluctuating resistance values for the device being tested. The test duration can also be set from 0.3 s, making the tester suitable for production line testing, which requires reduced cycle time.

This tester is also designed for ease of use, featuring a large, easy-to-read display, memory capacity for storage of 100 types of test conditions, and incorporation of test conditions into programs to enable automatic testing. Standard GPIB and RS-232C interfaces allow the user to use PCs or other devices to control test conditions such as test current, resistance value for judgement, and test duration, and enables read-back of measured values and test results.

The tester is also provided with test leads as standard and provides high cost effectiveness.

- Test current value: 3 to 30 A AC / Resistance value: 0.001 to 1.200Ω
- Offset cancelling function
- Stores 100 test conditions in memory
- Incorporates test conditions into program
- Contact Check function
- Equipped with standard GPIB and RS-232C interfaces
- Equipped with standard test lead (TL11-TOS)



TOS6200

Earth Continuity Tester

Output block		
Current setting range (*1)	3.0 to 30.0 A AC (With respect to resistance resulting in output power of the maximum rated Output or less and an output terminal voltage of 5.4 V or less)	
Resolution	0.1A	
Accuracy	± (1% of setting + 0.2A)	
Maximum rated output	150 VA (at the output terminals)	
Distortion factor	2% or less (with respect to 0.1 Ω pure resistance load of 10 A or greater)	
Frequency	50/60 Hz, sine wave (selectable)	
Accuracy	±200ppm	
Open terminal voltage	6 Vrms or less	
Output method	PWM switching method	
Output ammeter		
Measurement range	0.0 to 33.0 A AC	
Resolution	0.1A	
Accuracy	± (1% of reading + 0.2A)	
Response	Mean value response/rms value display (response time: 200 ms)	
Holding function	The current measured at the end of test is held during the PASS or FAIL interval	
Output voltmeter		
Measurement range	0.00 to 6.00 V AC	
Resolution	0.01V	
Accuracy	± (1% of reading + 0.02V)	
Response	Mean value response/rms value display (response time: 200 ms)	
Holding function	The voltage measured at the end of test is held during the PASS or FAIL interval	
Ohmmeter (*2)		
Measurement range	0.001 to 1.200 Ω	
Resolution	0.001 Ω	
Offset cancel function	0.000 to 1.200 Ω (Offset ON/OFF function provided)	
Accuracy	± (2% of reading + 0.003 Ω)	
Holding function	The resistance measured at the end of test is held during the PASS or FAIL interval	
Pass/fail judgement function		
Resistance value-based judgement	Window comparator system <ul style="list-style-type: none"> •If a resistance value equal to or greater than the upper reference value is detected, a FAIL determination is returned. •If a resistance value equal to or less than the lower reference value is detected, a FAIL determination is returned. •If a resistance value has been judged as FAIL, the tester shuts off the output and generates a FAIL signal. •If the set time elapses without abnormalities, the tester shuts off the output and generates a PASS signal. 	
Setting range for the upper reference value (UPPER)	0.001 to 1.200 Ω	
Setting range for the lower reference value (LOWER)	0.001 to 1.200 Ω	
Resolution	0.001 Ω	
Judgement accuracy	± (2% of UPPER + 0.003 Ω)	
Calibration		
Calibration is performed with the rms value of the sine wave, using a pure resistance load.		
LED	PASS	Lights for approximately 0.2 sec when the measured value has been judged as PASS. It is lit continuously when the PASS holding time is set to HOLD.
	UPPER FAIL	Lights if a resistance value equal to or greater than the upper reference value is detected and judged FAIL.
	LOWER FAIL	Lights if a resistance value equal to or greater than the upper reference value is detected and judged FAIL.
Buzzer	<ul style="list-style-type: none"> •The buzzer sounds for the pass holding time has been set if the measured value has been judged as PASS. •The buzzer sounds continuously under the following condition: The measured value has been judged as PASS when the PASS holding time is set to HOLD. The measured value has been judged as UPPER FAIL. The measured value has been judged as LOWER FAIL. •The buzzer volume for FAIL or PASS judgment are adjustable. Note that it cannot be adjusted individually since setting is shared with the setting for PASS. 	
Time		
Test time	Setting range	0.3 to 999 s Timer ON/OFF function is available.
	Accuracy	± (100ppm of setting + 20ms)
Environment		
Operating environment Indoor use, Overvoltage Category II		
Warranty range	Temperature	5° to 35°C
	Humidity	20 %rh to 80 %rh (non condensing)
Operating range	Temperature	0° to 40°C
	Humidity	20 %rh to 80 %rh (non condensing)
Storage range	Temperature	-20° to 70°C
	Humidity	90 %rh or less (non condensing)
Altitude	Up to 2000m	

*1: Time limitation with respect to output

The heat radiation capacity at the output block of the tester is designed to be one-third of the rated output, accounting for size, weight, cost, and other factors. Always use the tester within the limitation values given below. Use of the tester beyond these limits will cause the temperature of the output block to rise excessively, potentially tripping the internal protection circuit. In this case, suspend testing for approximately 30 minutes, then press the STOP switch. When temperatures fall to normal levels, the tester will revert to ready status.

Output time limitation			
Ambient temperature t (°C)	Test current I (A)	Pause time	Maximum allowable continuous test time
t ≤ 40°	15 < I ≤ 30	Equal to or greater than the test time	≤ 30 minutes
	I ≤ 15	Not required	Continuous output possible

*2: About ohmmeter's response time

A resistance value is instantaneously obtained, calculated using the measured voltage and current values. The response time of the ohmmeter complies with the response times of the voltmeter and ammeter.

Power requirement	
Allowable voltage range	100 V model : 85 to 132 V AC 100 V/200 V model : 85 to 132 V AC/170 to 250 V AC
Power consumption	At no load (READY)
	At rated load
Allowable frequency range	47 Hz to 63 Hz
Insulation resistance	30M Ω min. (500 V DC), between AC line and chassis
Withstanding voltage	1390 V AC (2 seconds), between AC line and chassis
Earth continuity	25 A AC/0.1 Ω max.

Electromagnetic compatibility (EMC) (*3,4)

Conforms to the requirements of the following directive and standard.

EMC Directive 89/336/EEC

EN61326

EN61000-3-2

EN61000-3-3

Under following conditions

1. Used test leadwire (TL11-TOS) which is supplied.
2. Used the shielded cable which length is less than three meters when the SIGNAL I/O is used.

Safety (*3)

Conforms to the requirements of the following directive and standard.

Low Voltage Directive 73/23/EEC

EN61010-1

Class I

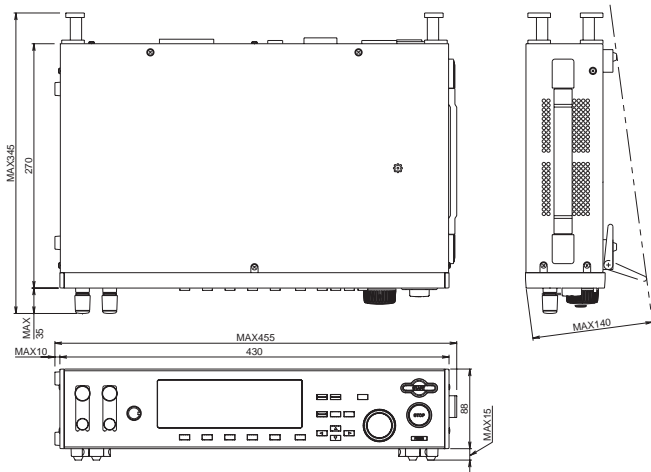
Pollution degree 2

Physical dimensions (max)	430(455)W X 88(140)H X 270(345)Dmm
Weight	Approx. 9kg
Accessories	
AC power cord	1 piece
Test leadwire TL11-TOS	1 set
Short bar	2 pieces (These are inserted between the OUTPUT and SAMPLING terminals.)
AC power fuse	2 pieces (2, including one spare in the fuse holder)
Operation manual	1 copy

*3: Not applicable to custom order models.

*4: Only on models that have CE marking on the panel.

— External dimensional diagrams —



Unit: mm

Remote Control Box

■RC01-TOS

[one-hand operation/dimensions: 200W × 70H × 39D mm]
 Accessory cable length: 1.5 m
 Note: The optional Adaptor DD-5P/6P is required for the connection with TOS7200.



■RC02-TOS

[both-hands operation/dimensions: 330W × 70H × 39D mm]
 Accessory cable length: 1.5 m
 Note: The optional Adaptor DD-5P/6P is required for the connection with TOS7200.



■DD-5P/6P

[Adaptor/DIN to Mini DIN]



Buzzer Unit

■BZ01-TOS (for 100V AC)

* This can not be used with TOS6200, TOS9200/9201, TOS7200



Warning Light Unit

■PL01-TOS (for 100V AC)

* This can not be used with TOS6200, TOS9200/9201, TOS7200



■PL02-TOS (for 24V DC)

* for TOS9200/9201



High-Voltage Test Probe

■HP01A-TOS

[cable length: 1.8 m/max. operating voltage: 4 kV AC(RMS), 5kV DC]

■HP02A-TOS

[cable length: 3.5 m/max. operating voltage: 4 kV AC(RMS), 5kV DC]
 * This can not be used with TOS7200.



High-Voltage Test Lead

■TL01-TOS

[cable length: 1.5 m/max. operating voltage: 5 kV]



■TL02-TOS

[cable length: 3 m/max. operating voltage: 5 kV]



■TL03-TOS

[cable length: 1.5 m/max. operating voltage: 10 kV]



■TL04-TOS

[cable length: 1.5 m/max. operating voltage: 5 kV (for TOS1200, RL01-TOS)]



■TL05-TOS

[cable length: 1.5 m/max. operating voltage: 5 kV (for 149-10A, RL01-TOS)]



■TL06-TOS

[cable length: 0.5 m/max. operating voltage: 5 kV (for parallel connection of TOS9220/9221)]



■TL07-TOS

[cable length: 1.5 m/max. operating voltage: 5 kV (for TOS9220/9221)]



■TL08-TOS

[cable length: 1.5 m/max. operating voltage: 1 kV (for TOS7200)]



■HTL-2.5DH

[cable length: 1.5 m/max. operating voltage: 10 kV (for 149-10A)]



Low-Voltage Test Leads

■LTP-2

[cable length: 2 m/max. operating current: 30 A (for TOS6200)]



Warning Light Unit

■TL11-TOS

[cable length: 1.5 m/max. operating current: 30 A (for TOS6200)]



■TL12-TOS

[cable length: 1.5 m/max. operating current: 60 A (for TOS6210)]



DIN Cable

■DD-3 5P

[cable length: 3 m/DIN plug to DIN plug]



Withstanding Voltage Tester Current Calibrator

■ TOS1200



- Calibration of Leakage Current Detection Sensitivity
- Direct Reading of Error from Error Display Scale
- Ammeter Ranges
- Eliminates Need for Power Supply
- AC/DC Selection Switch

Specifications	
Measuring Function	Measurement of current values and error (%) for AC (50/60 Hz) and DC at a test voltage of 1000 V
Measuring Ranges	8 ranges consisting of 0.5/1/2/5/10/20/50/100 mA along with values equal to 0.8 times the values of those ranges (for 1, 2, 4 and 8 steps)
Ammeter Scale	Main scale: Direct-reading error display scale over a range of $\pm 10\%$ of the above full scale values Auxiliary scale: Ratio scale of 0 to 1.1 times the above full scale values (equivalent to 0% display of main scale when the ratio is equal to 1)
Ammeter Accuracy	Main scale: $\pm 1\%$ of reading Auxiliary scale: $\pm 3\%$ of full scale value
Ammeter Indication	DC/AC (sine wave rms value calibration of mean value response)

Load Resistance			
Range[mA]	Resistance[k Ω]	Range[mA]	Resistance[k Ω]
0.5	2000	10	100
1	1000	20	50
2	500	50	20
5	200	100	10

Allowed Input Time	0.5/1/2/5 mA ranges: Continuous 10/20/50/100 mA ranges: 60 sec. Max. 1/3 of duty cycle
Dimensions (MAX)	134W \times 164H \times 270D mm (140W \times 189H \times 320D mm)
Weight	approx. 3.5 kg
Accessories	TL04-TOS high-voltage test lead: 1

High-Voltage Digital Voltmeter

■ 149-10A



- Measurement of high voltages (AC/DC) of up to 10 kV maximum.
- Large 4 1/2 digit LED display
- High measuring accuracy and input resistance
- Light weight of only 3.2 kg
- Compact design
- Excellent ease of maintenance

Specifications	
Operating System	Double integration system (sampling cycle: 3 times/sec)
DC Voltage	Measuring range: 0.500kV to 10,000kV Accuracy: $\pm(0.5\%$ of reading + 0.03% of range) Input resistance: 1000 M Ω \pm 2%
AC Voltage	Measuring range: 0.500kV to 10,000kV Accuracy: $\pm(1\%$ of reading + 0.05% of range) Frequency characteristics: 50/60 Hz (sine wave rms value display of mean value response) Input resistance: 1000 M Ω \pm 2%
Power Requirements	100V \pm 10%, approx. 10 VA
Dimensions (MAX)	134W \times 164H \times 270D mm (140W \times 189H \times 350D mm)
Weight	approx. 3 kg
Accessories	TL05-TOS high-voltage test lead: 1 HTL-2.5DH high-voltage coaxial cable: 1

UL Resistance Load

■ RL01-TOS



This device is described in section 125, paragraph 2-1B1 of UL1492. The RL01-TOS is a variable load resistor for checking the output voltage of withstanding voltage testers used in dielectric strength testing on production lines. (Complies with UL regulations including UL1270, UL1409 and UL1410.)

Specifications	
Resistors:	120, 159, 210, 279, 369, 489, 648, 858, 1,137, 1,500, 1,989 and 2,148 kW
Resistance Accuracy	+1%,-0% of nominal value when set to 120 kW, $\pm 1\%$ of nominal value when set to other values
Maximum Operating Voltage	1300 V (continuous rating)
Maximum Overload Voltage	1400 V for 5 seconds (application may not be repeated within 1 minute)
Dimensions (MAX)	200W \times 100H \times 260D mm (210W \times 120H \times 295D mm)
Weight	approx. 2.6 kg
Accessories	TL04-TOS high-voltage test lead: 2 TL05-TOS high-voltage test lead: 1

Data Acquisition for TOS5051A/5050A

■ SD004-TOS5000A

For the details, please refer to page 26.



Rack Mount Bracket

Product Name	JIS Standard	EIA Standard
	Bracket Model No.	Bracket Model No.
TOS9201	KRB150-TOS	KRB3-TOS
TOS9200	KRB150-TOS	KRB3-TOS
TOS9220	KRB100-TOS	KRB2-TOS
TOS9221	KRB100-TOS	KRB2-TOS
TOS8870A	KRB150-TOS	KRB3-TOS
TOS6200	KRB100-TOS	KRB2-TOS
TOS6210	KRB100-TOS	KRB2-TOS



KIKUSUI

KIKUSUI ELECTRONICS CORP.

1-1-3,HIGASHIAMATA,TSUZUKI-KU,YOKOHAMA, 224-0023, JAPAN

TEL:(045)593-7570, Fax:(045)593-7571

Internet:<http://www.kikusui.co.jp/>

●Distributor:

■ All products contained in this catalogue are equipment and devices that are premised on use under the supervision of qualified personnel, and are not designed or produced for home-use or use by general consumers. ■ Specifications, design and so forth are subject to change without prior notice to improve the quality. ■ Product names and prices are subject to change and production may be discontinued when necessary. ■ Product names, company names and brand names contained in this catalogue represent the respective registered trade name or trade mark. ■ Colors, textures and so forth of photographs shown in this catalogue may differ from actual products due to a limited fidelity in printing. ■ Although every effort has been made to provide the information as accurate as possible for this catalogue, certain details have unavoidably been omitted due to limitations in space. ■ If you find any misprints or errors in this catalogue, it would be appreciated if you would inform us. ■ Please contact our distributors to confirm specifications, price, accessories or anything that may be unclear when placing an order or concluding a purchasing agreement.

New Products Information

High-voltage test probe for Insulation Resistance Tester

HP11-TOS

Cable Length 1.8m

DC1kV Max. 100mA

Complied product: TOS7200



* Note: This product requires that the ROM version of the TOS7200 be 1.07 or later.

Test Probe for Earth Continuity Testers

LP01-TOS

30A Max.

Cable Length 2m

Complied product: TOS6200



LP02-TOS

60A Max.

Cable Length 2m

Complied product: TOS6210

